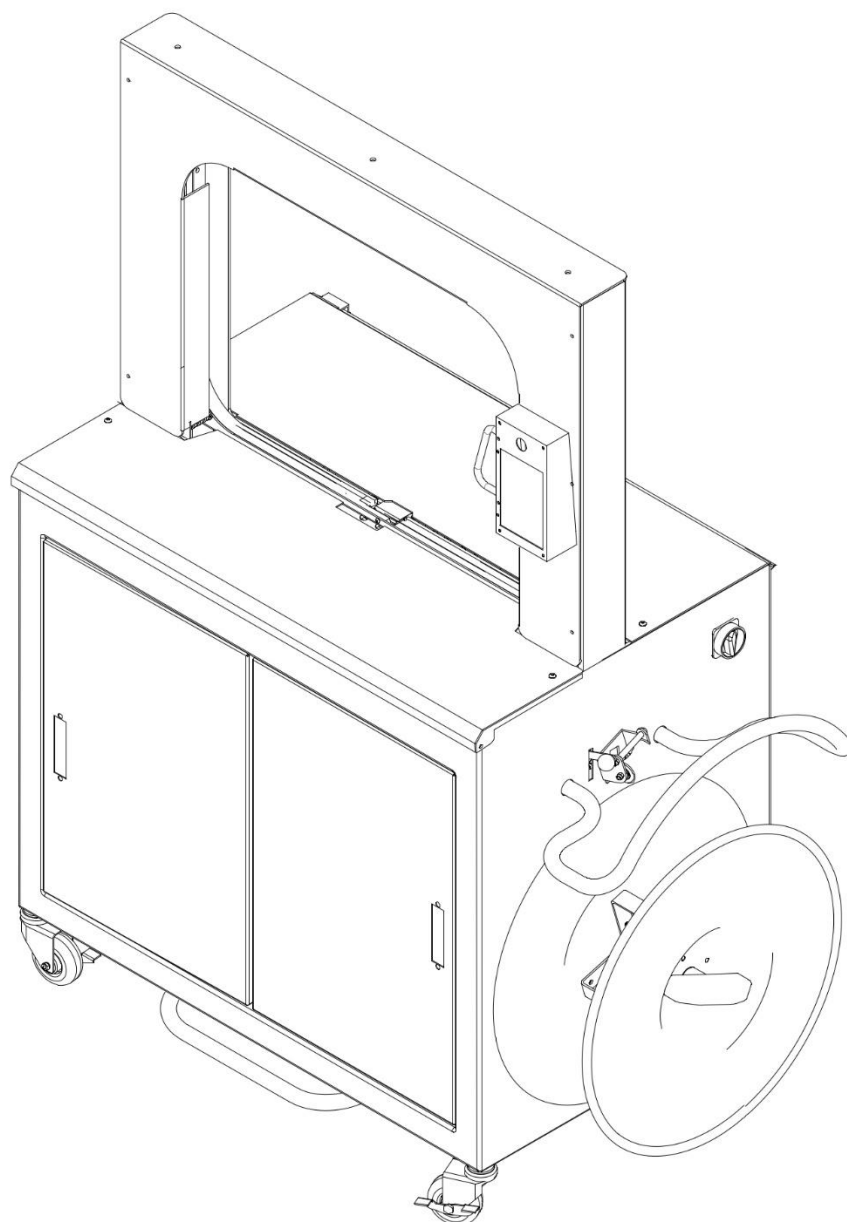
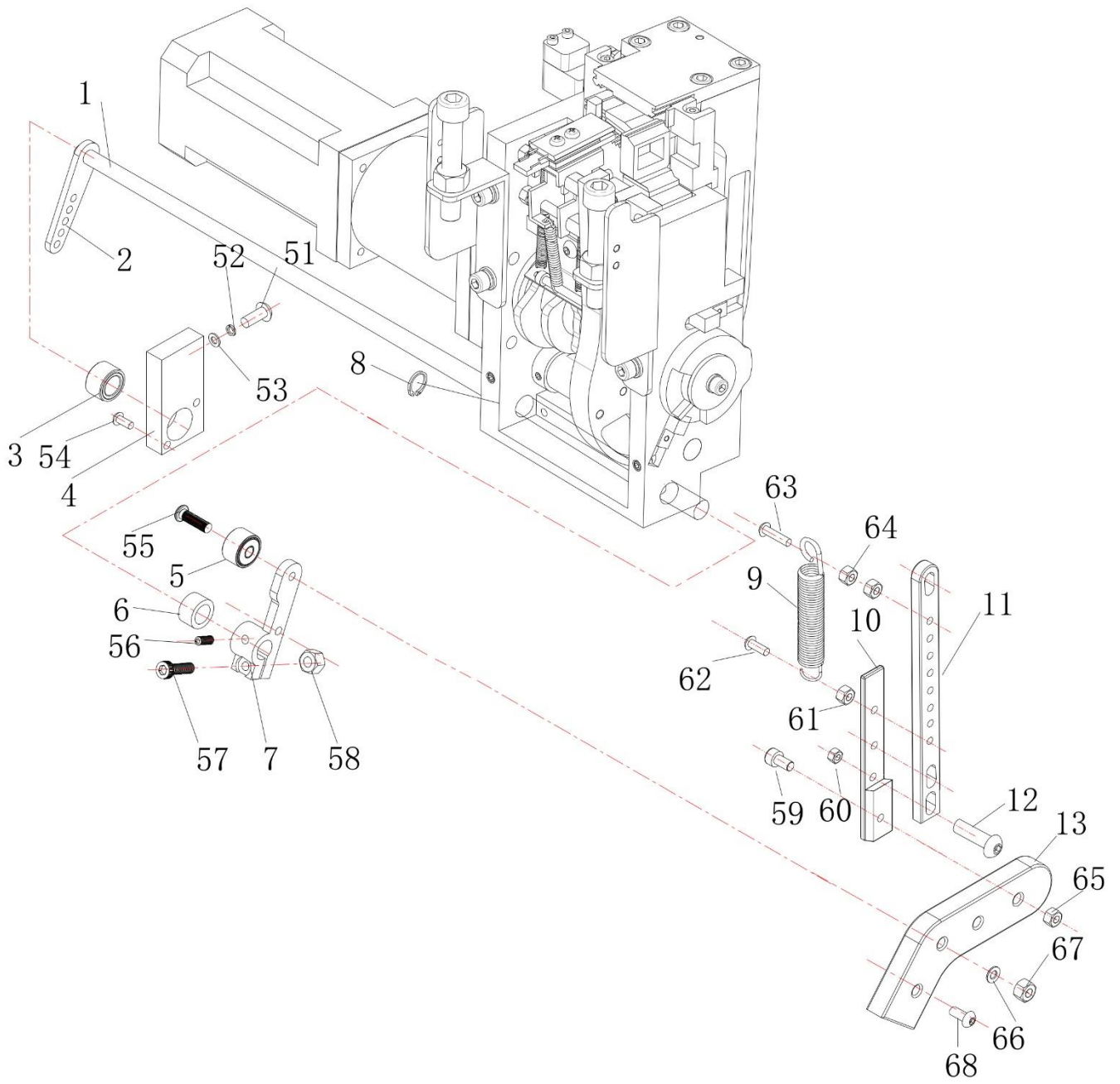


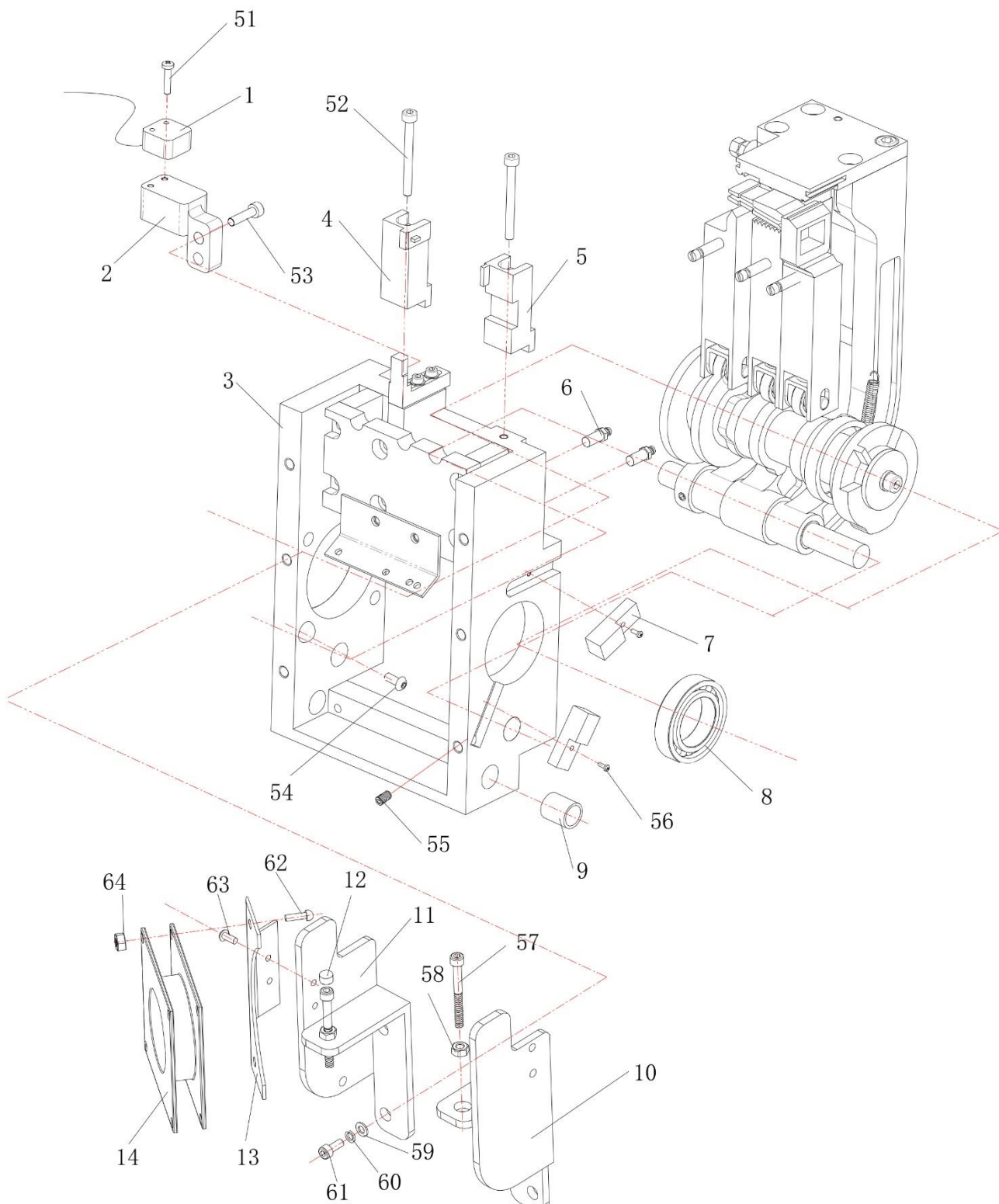
АВТОМАТИЧЕСКАЯ СТРЕПИНГ МАШИНА

серии **SP505X**

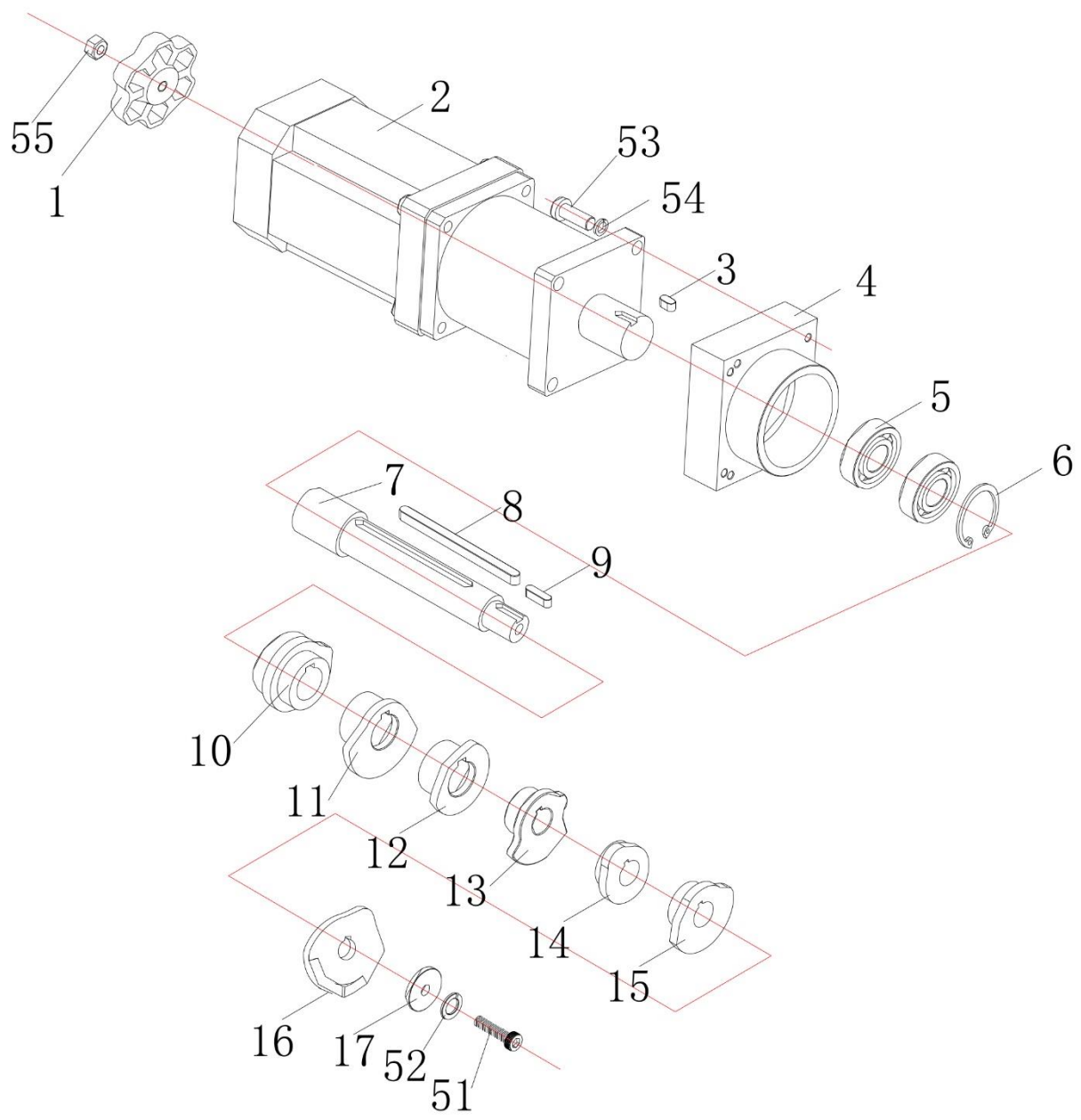




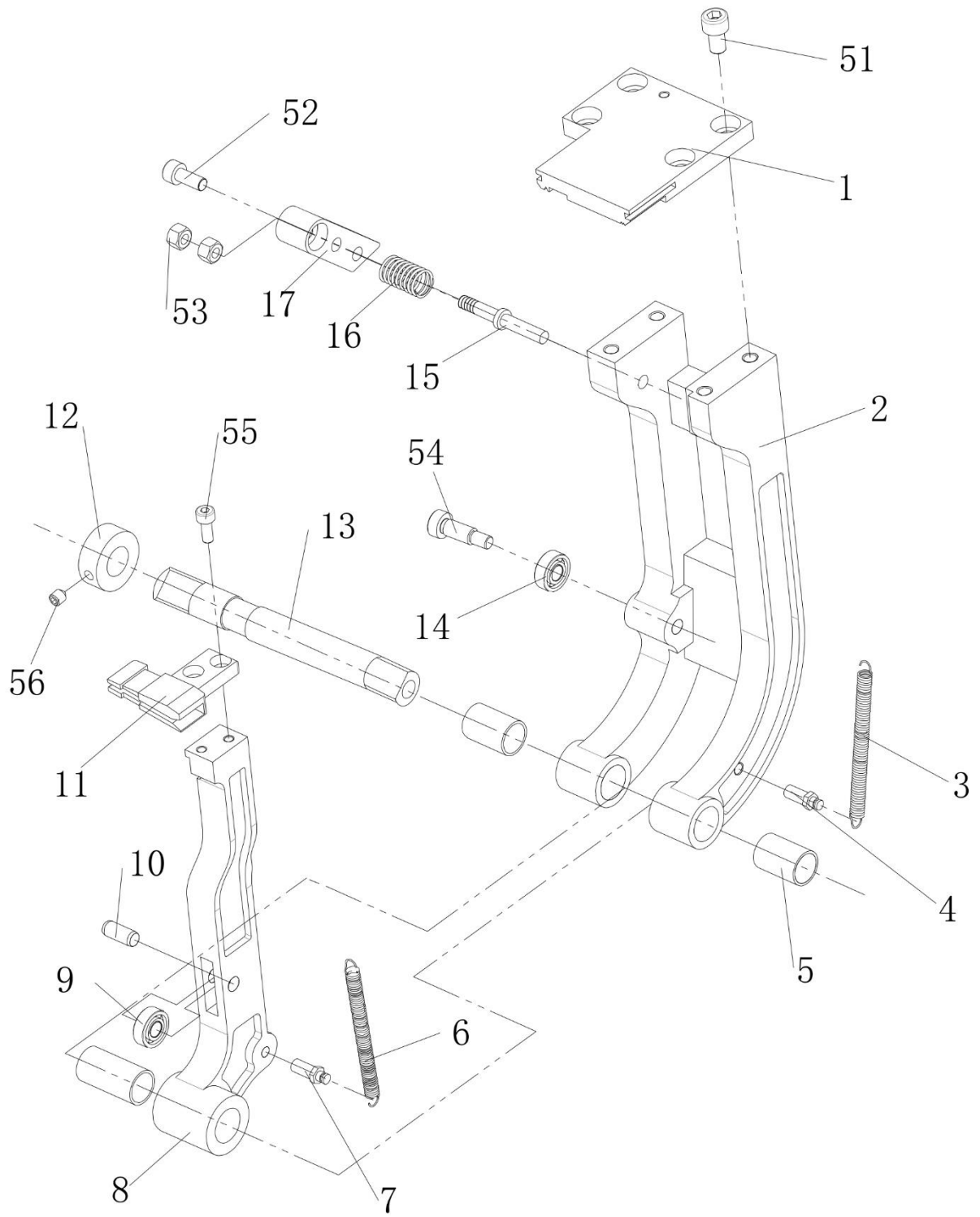
№.	НАИМЕНОВАНИЕ	КОД ДЕТАЛИ	КОЛ-ВО
1	Drive Rod (length depending on the arch size)	YS-Z305-137	1
2	Connecting Plate	YS-4A-146B	1
3	Bearing	NKC2K2	1
4	Fixing Plate	YS-4A-148A	1
5	Bearing	MCYR6S	1
6	Spacer Sleeve	YS-4A-147	1
7	Clamping Block	YS-04-155	1
8	Clamp Spring	S-12	1
9	Tension Spring	YS-4A-163	1
10	Tensioner Pendulum Block	YS-4A-166	1
11	Tensioner	YS-4A-167	1
12	Screw	J50-59	2
13	Connecting Plate	YS-4B-222	1
51	Inner Hexagon Screw	M6x16	2
52	Spring Washer	Φ6	2
53	Flat Washer	Φ6	2
54	Cup Head Inner Hexagon Screw	M5x10	2
55	Cup Head Inner Hexagon Screw	M6x25 (Grade 12.9)	1
56	Set Screw	M5x6	1
57	Inner Hexagon Screw	M6x20 (Grade 12.9)	1
58	Retaining Nut	M6	2
59	Inner Hexagon Reamed Hole Bolt	Φ6x10	1
60	Retaining Nut	M4	2
61	Hexagon Nut	M5	1
62	Cup Head Inner Hexagon Screw	M5x12	1
63	Cup Head Inner Hexagon Screw	M5x16	1
64	Hexagon Nut	M5	2
65	Retaining Nut	M5	1
66	Spring Washer	Φ6	1
67	Retaining Nut	M6	1
68	Cup Head Inner Hexagon Screw	M6x12	1



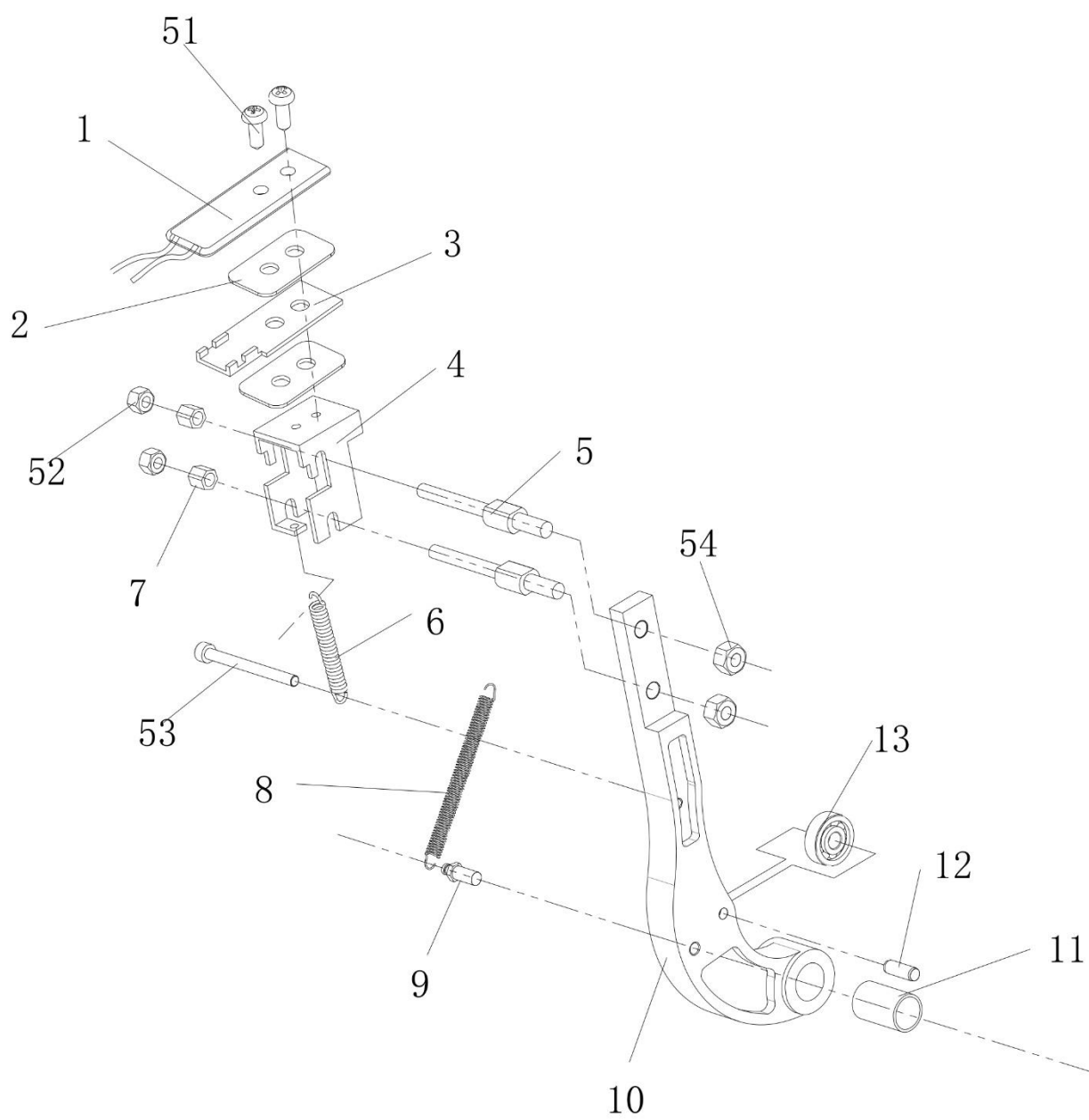
№.	НАИМЕНОВАНИЕ	КОД ДЕТАЛИ	КОЛ-ВО
1	Proximity Switch	NBN5-F7-E0	1
2	Switch Base	YS-Z305-133	1
3	Strapping Head Frame	YS-Z305-100	1
4	Left Limiting Block	YS-Z305-131	1
5	Right Limiting Block	YS-Z305-132	1
6	Tension Spring Pillar	YS-Z305-135	2
7	Proximity Switch	E2S-W23	2
8	Bearing	6004	1
9	Oil Bearing	1214	2
10	Right Support Plate	YS-Z305-134	1
11	Left Support Plate	YS-Z305-134A	1
12	Panel Pad	YS-04-168	2
13	Fan Bracket	YS-4A-150	1
14	Fan	8025	1
51	Cross Pan Head Screw	M3x25	2
52	Inner Hexagon Screw	M5x45	2
53	Inner Hexagon Screw	M5x16	2
54	Cup Head Inner Hexagon Screw	M5x25	4
55	Set Screw	M5x10	2
56	Inner Hexagon Screw	M3x12	2
57	Inner Hexagon Screw	M10x60	2
58	Hexagon Nut	M10	2
59	Flat Washer	Φ6	4
60	Spring Washer	Φ6	4
61	Inner Hexagon Screw	M6x16	4
62	Inner Hexagon Screw	M4x30	2
63	Cup Head Inner Hexagon Screw	M4x8	2
64	Hexagon Nut	M4	2



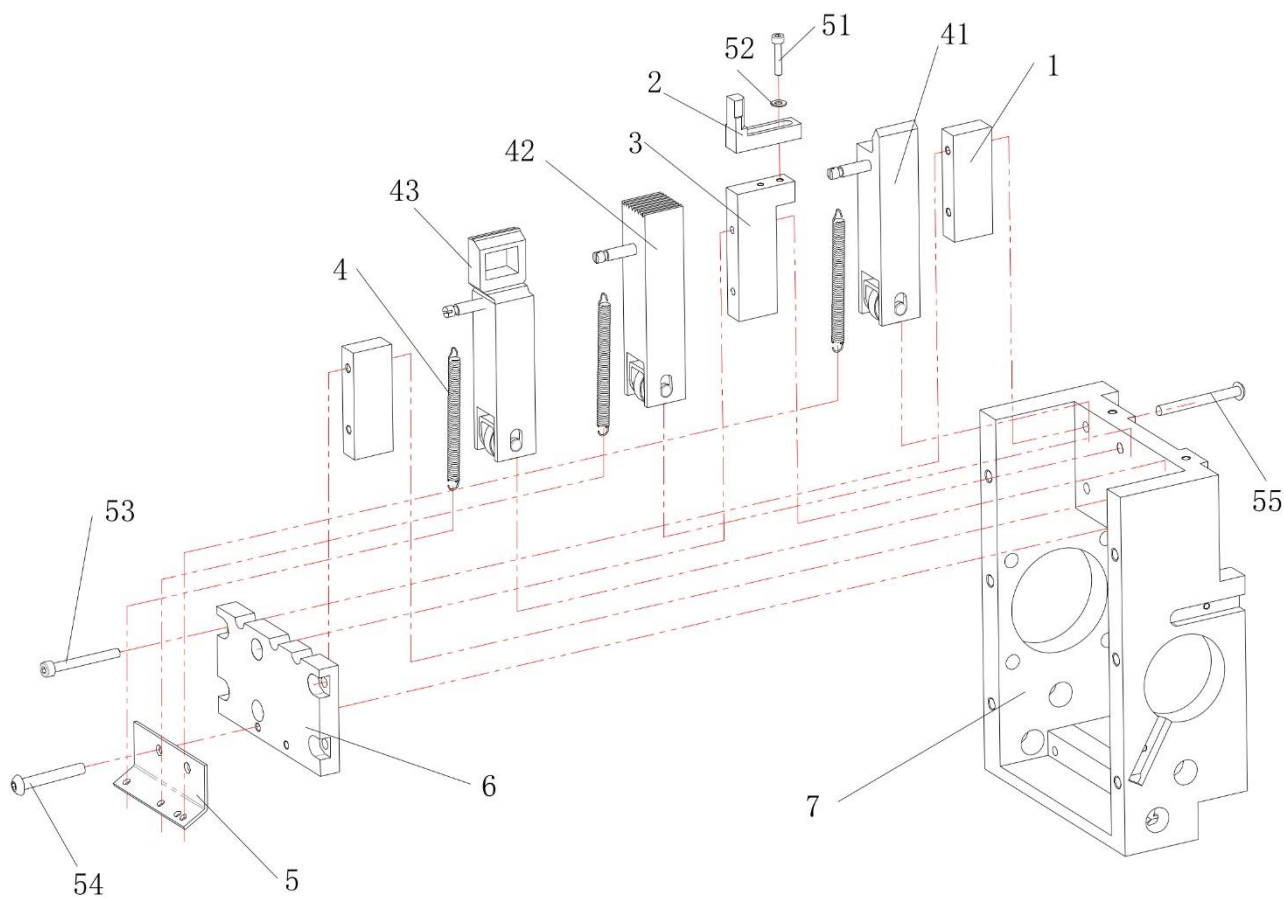
№.	НАИМЕНОВАНИЕ	КОД ДЕТАЛИ	КОЛ-ВО
1	Hand Wheel	YS-4A-180	1
2	Motor	Ml	1
3	Flat Key	5x5x20	1
4	Motor Board	YS-4B-101	1
5	Bearing	61905	2
6	Clamp Spring	R-42	1
7	Main Shaft	YS-Z305-111	1
8	Flat Key	6x6x95	1
9	Flat Key	5x5x13	1
10	Upper Slide Table Cam	YS-Z305-117	1
11	Left Bar Cam	YS- Z305-114	1
12	Lower Slide Table Cam	YS- Z305-116	1
13	Middle Bar Cam	YS- Z305-113	1
14	Right Bar Cam	YS- Z305-112	1
15	Heater Cam	YS- Z305-115	1
16	Frame Cam	YS- Z305-118	1
17	Washer	YS-2A-65	1
51	Outer Hexagon Screw	M6x20	1
52	Spring Washer	Φ6	1
53	Inner Hexagon Screw	M5x20	4
54	Spring Washer	Φ5	4
55	Hexagon Nut	M6 (Left-hand)	1



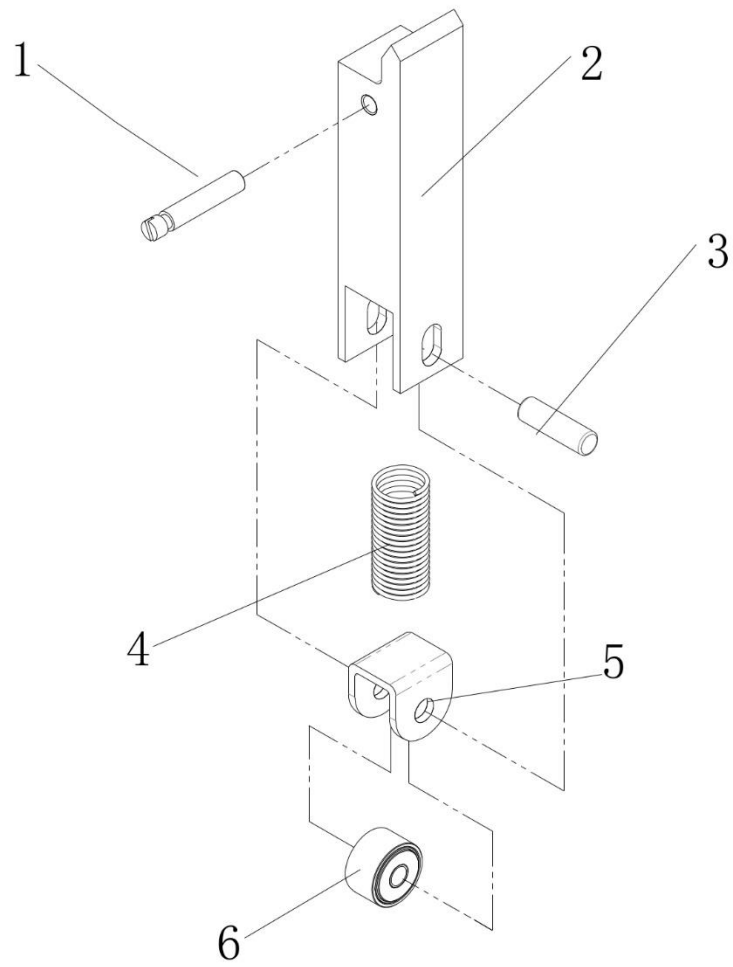
№.	НАИМЕНОВАНИЕ	КОД ДЕТАЛИ	КОЛ-ВО
1	Upper Slide Table	YS-Z305-129	1
2	Slide Table Crank	YS-Z305-126	1
3	Upper Slide Table Crank Tension Spring	YS-Z305-139	1
4	Tension Spring Pillar	YS-Z305-135	1
5	Oil Bearing	1214	4
6	Lower Slide Table Crank Tension Spring	YS-Z305-140	1
7	Tension Spring Pillar	YS-Z305-136	1
8	Lower Slide Table Crank	YS-Z305-124	1
9	Bearing	635 (thickened)	1
10	Spring Pin	Φ5X14	1
11	Lower Slide Table	YS-Z305-125- (5)	1
		YS-Z305-125- (9)	1
		YS-Z305-125-(12)	1
12	Spacer Bush	YS-Z305-120	1
13	Crank Shaft	YS-Z305-119	1
14	Bearing	6000	1
15	Sensing Rod	YS-Z305-128	1
16	Reset Compressed Spring	YS-4A-159	1
17	Spring Housing	YS-Z305-127	1
51	Inner Hexagon Screw	M6X16	4
52	Inner Hexagon Screw	M4X16	2
53	Hexagon Nut	M5	2
54	Inner Hexagon Reamed Hole Bolt	Φ10X12	1
55	Inner Hexagon Screw	M4X8	2
56	Set Screw	M5X6	1



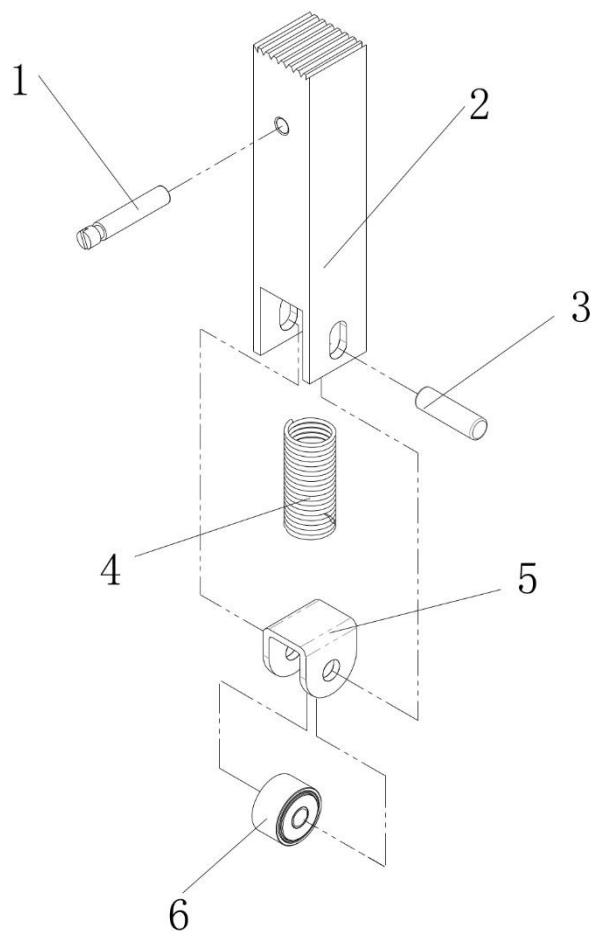
№.	НАИМЕНОВАНИЕ	КОД ДЕТАЛИ	КОЛ-ВО
1	Heater	YS-4A-119	1
2	Insulating Sheet	YS-4A-121	2
3	Heater Fixing Plate	J50-57	1
4	Heater Rack	YS-4A-116A	1
5	Bolt	YS-Z305-122	2
6	Tension Spring	YS-2A-71	1
7	Base Plate	YS-Z305-123	2
8	Heater Crank Tension Spring	YS-4A-157	1
9	Tension Spring Pillar	YS-4A-140	1
10	Heater Crank	YS-Z305-121	1
11	Oil Bearing	1220	1
12	Spring Pin	Φ5X14	1
13	Bearing	635 (thickened)	1
51	Cross Flat Head Screw	M4X10	2
52	Retaining Nut	M5	2
53	Inner Hexagon Screw	M4X40	1
54	Retaining Nut	M6	2



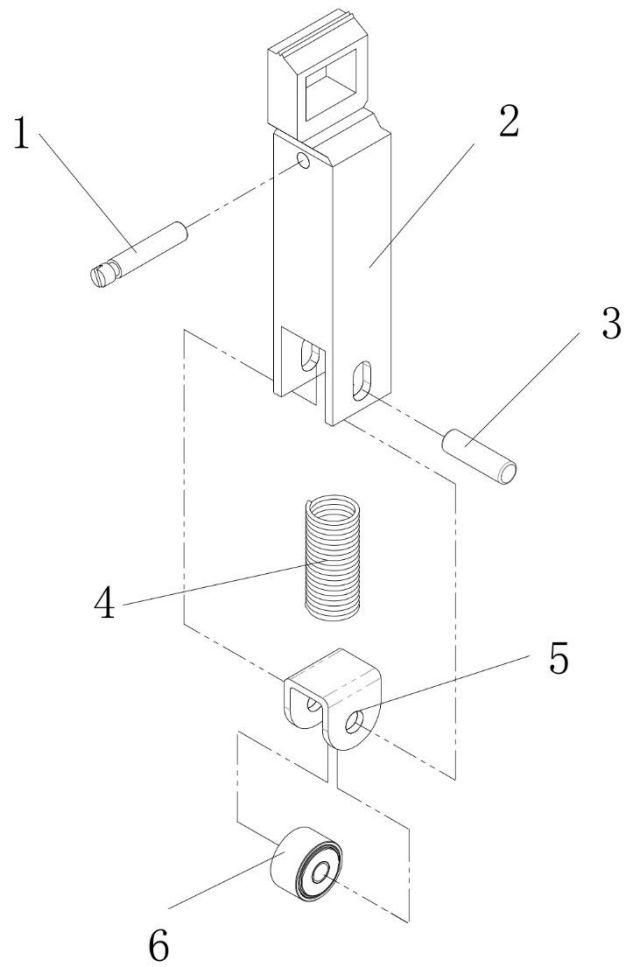
No.	НАИМЕНОВАНИЕ	КОД ДЕТАЛИ	КОЛ-ВО
1	Left and Right Partition Plate	YS-Z305-106	2
2	Limiting Block	YS-Z305-108	1
3	Middle Partition Plate	YS-Z305-107	1
4	Middle Bar Reset Spring	A1088	3
5	Spring Pulling Plate	YS-Z305-109	1
6	Rear Plate	YS-Z305-105	1
7	Strapping Head Frame	YS-Z305-100	1
41	Left Bar Assembly	YS-Z305-10	1
42	Middle Bar Assembly	YS-Z305-11	1
43	Right Bar Assembly	YS-Z305-12	1
51	Inner Hexagon Screw	M4X16	2
52	Flat Washer	Φ4	2
53	Inner Hexagon Screw	M5X12	10
54	Cup Head Inner Hexagon Screw	M5X10	2
55	Inner Hexagon Screw	M5X16	2



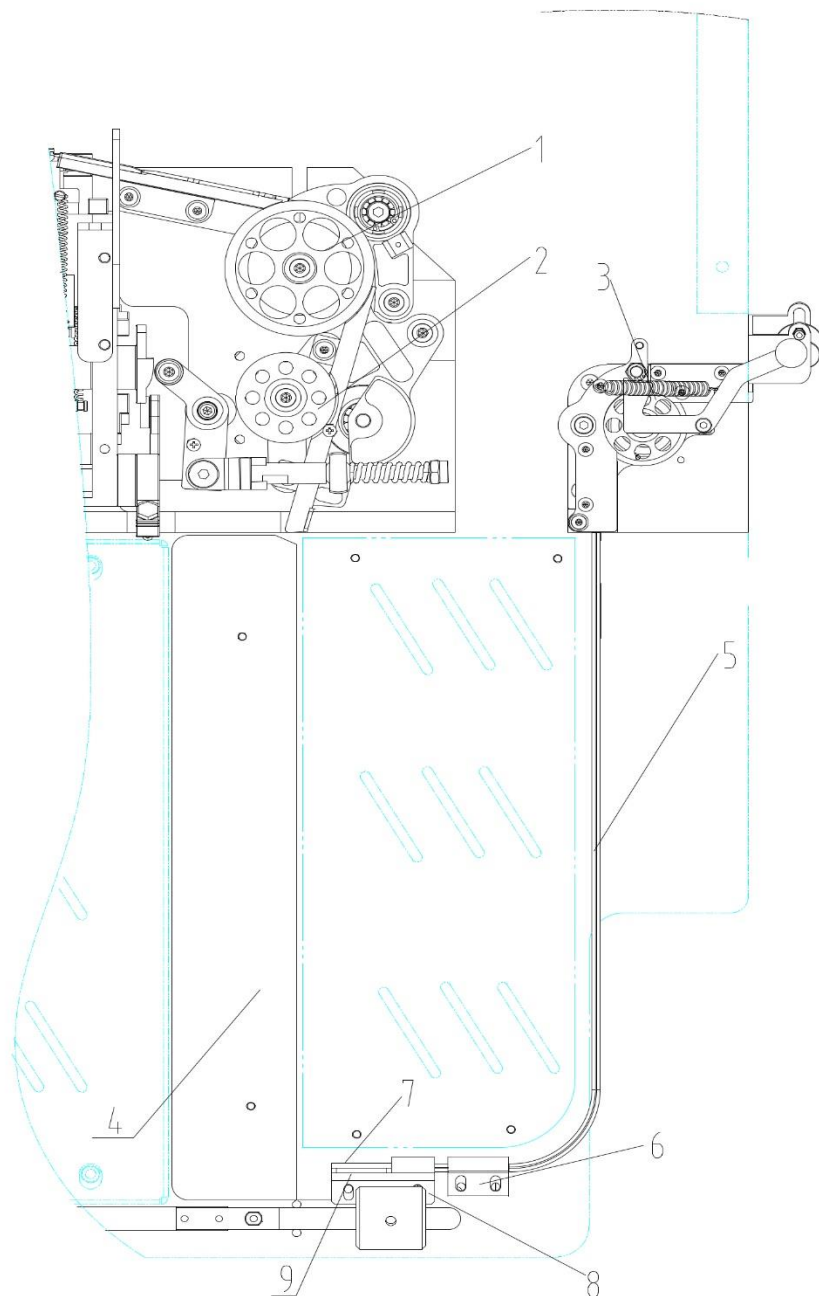
No.	НАИМЕНОВАНИЕ	КОД ДЕТАЛИ	КОЛ-ВО
1	Bar Screw	YS-Z305-110	1
2	Left Bar	YS-Z305-103	1
3	Small Shaft	YS-04-140	1
4	Compressed Spring	YS-04-161	1
5	Pressing Plate	YS-Z305-104	1
6	Bearing	MCYR6S	1



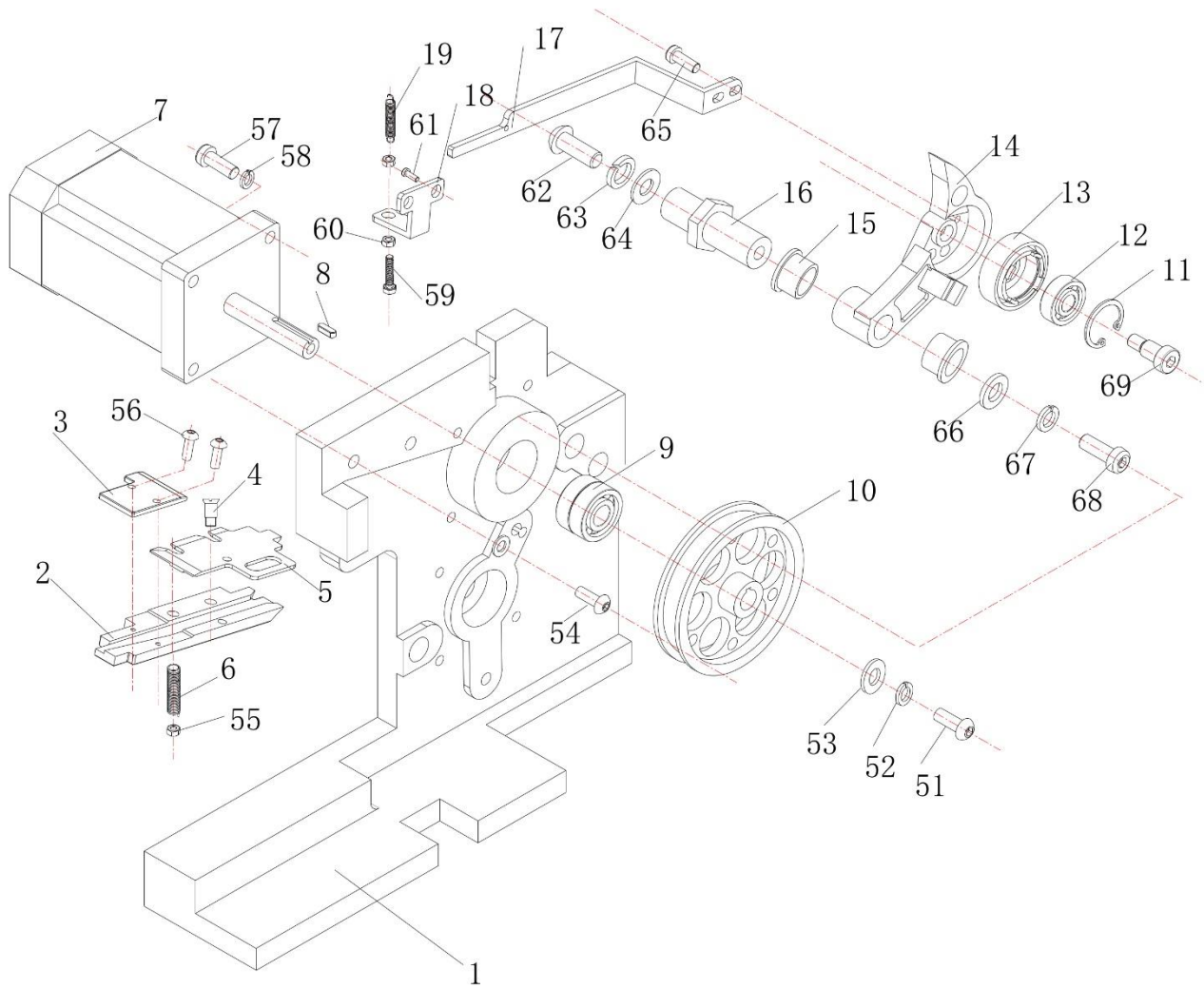
№.	НАИМЕНОВАНИЕ	КОД ДЕТАЛИ	КОЛ-ВО
1	Bar Screw	YS-Z305-110	1
2	Middle Bar	YS-Z305-102	1
3	Small Shaft	YS-04-140	1
4	Compressed Spring	YS-04-160	1
5	Pressing Plate	YS-Z305-104	1
6	Bearing	MCYR6S	1



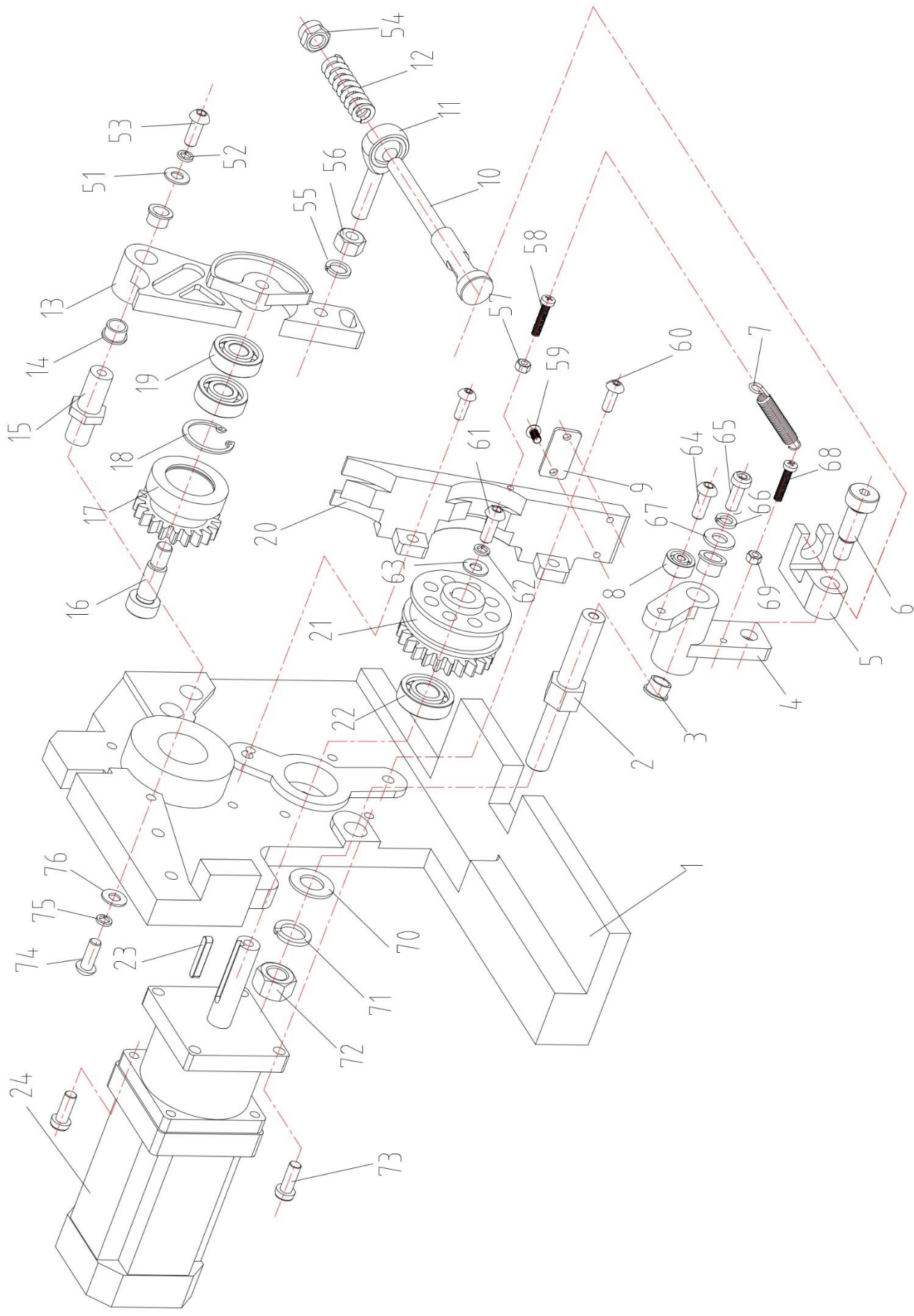
No.	НАИМЕНОВАНИЕ	КОД ДЕТАЛИ	КОЛ-ВО
1	Bar Screw	YS-Z305-110	1
2	Right Bar	YS-Z305-101	1
3	Small Shaft	YS-04-140	1
4	Compressed Spring	YS-04-161	1
5	Pressing Plate	YS-Z305-104	1
6	Bearing	MCYR6S	1



No.	НАИМЕНОВАНИЕ	КОД ДЕТАЛИ	КОЛ-ВО
1	Feeding & Reversing Motor Assembly	YS-4B-20	1
2	Tension Motor Assembly	YS-4B-21	1
3	Pre-feeding Motor Assembly	YS-4B-22	1
4	Automatic Strap Feeding Assembly	YS-4B-23	1
5	Strap Guide Groove	YS-4A-235B	1
6	Strap Guide Groove Pressing Plate	YS-04-280	1
7	Strap Inlet Pressing Plate	YS-04-278	1
8	Strap Guide Groove Fixing Plate	YS-04-277	1
9	Strap Inlet Adjustment Plate	YS-04-279-(9)	1

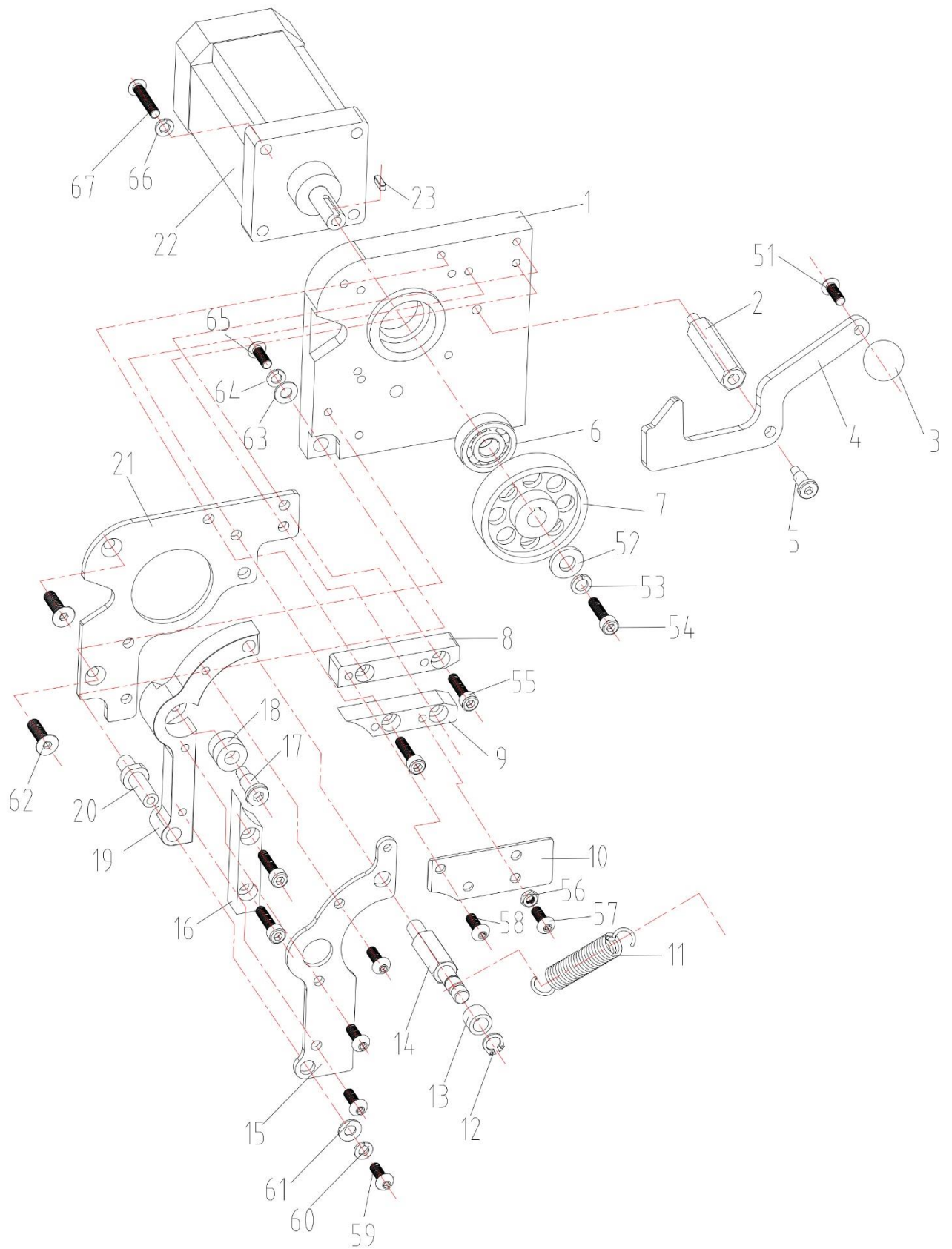


№.	НАИМЕНОВАНИЕ	КОД ДЕТАЛИ	КОЛ-ВО
1	Roller Wallboard	YS-4B-200	1
2	Strapway	YS-4B-201-(5)	1
	Strapway	YS-4B-201-(9)	1
3	Cover Plate	YS-4B-203	1
4	Bolt	YS-4B-216	2
5	Pressing Plate	YS-4B-202	1
6	Compressed Spring	YS-4B-217	2
7	Motor	M2	1
8	Flat Key	3x3x18	1
9	Bearing	6200	1
10	Strap Feeding Wheel	YS-4B-204	1
11	Clamp Spring	R-19	1
12	Bearing (imported)	619/8	1
13	Strap Feeding Wheel	YS-4B-206	1
14	Strap Feeding Wheel Carrier	YS-4B-205	1
15	Self-Lubricated Flange Bearing	15x12x10	2
16	Strap Feeding Shaft	YS-4B-210	1
17	Pull Rod	YS-4B-220	1
18	Spring Hook Plate	YS-4B-221	1
19	Tension Spring	YS-04-212	1
51	Cup Head Inner Hexagon Screw	M5x12	1
52	Spring Washer	Φ5	1
53	Flat Washer	Φ5x18	1
54	Inner Hexagon Screw	M6x16	2
55	Retaining Nut	M5	2
56	Cross Countersunk Head Screw	M4x8	2
57	Inner Hexagon Screw	M5x20	4
58	Spring Washer	Φ5	4
59	Outer Hexagon Screw	M5x35	1
60	Hexagon Nut	M5	2
61	Cup Head Inner Hexagon Screw	M5x10	2
62	Inner Hexagon Screw	M6x12	1
63	Spring Washer	Φ6	1
64	Flat Washer	Φ6x18	1
65	Inner Hexagon Screw	M4x8	2
66	Flat Washer	Φ6x18	1
67	Spring Washer	Φ6	1
68	Cup Head Inner Hexagon Screw	M6x12	1
69	Inner Hexagon Reamed Hole Bolt	Φ8x10	1

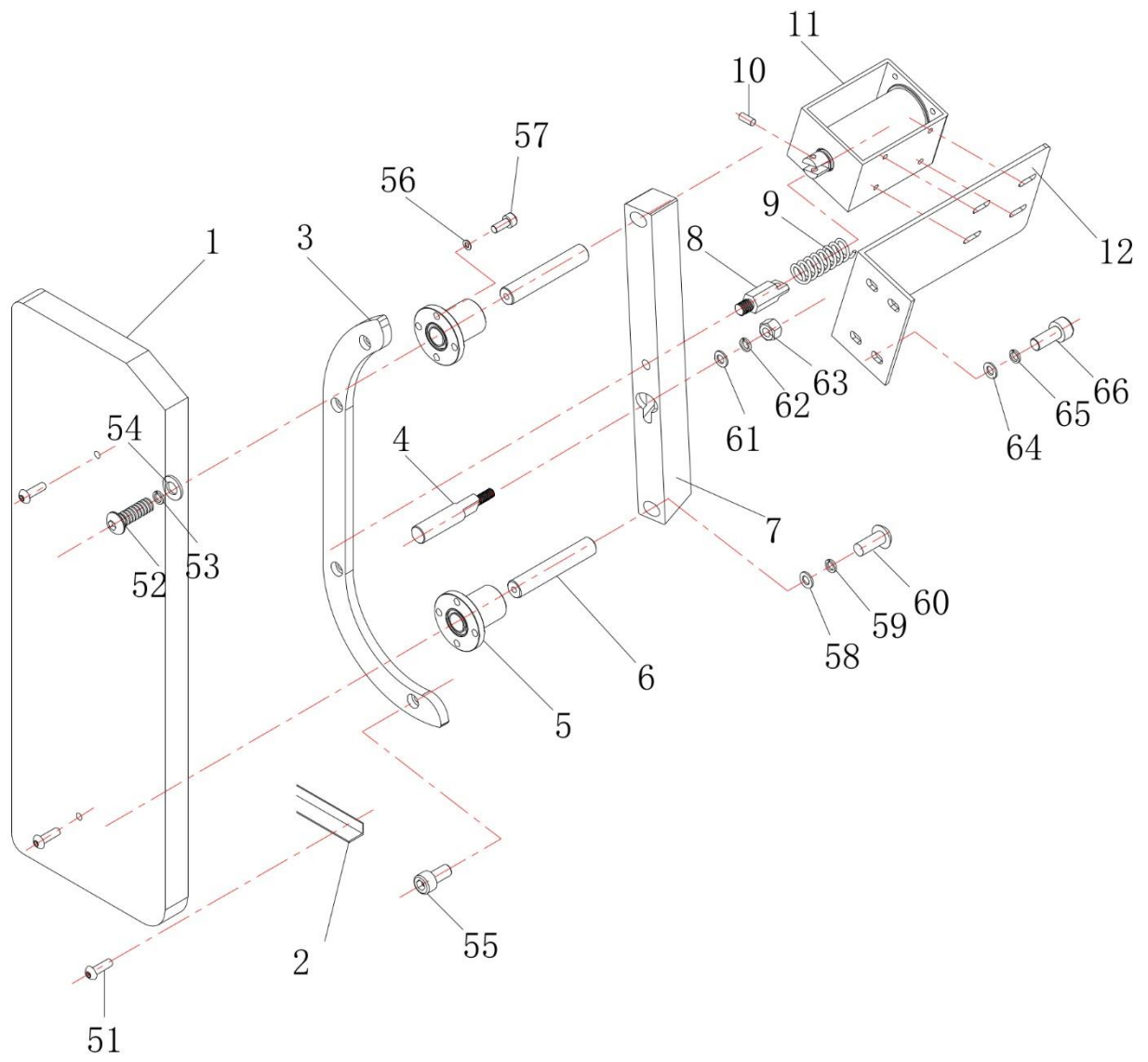


№.	НАИМЕНОВАНИЕ	КОД ДЕТАЛИ	КОЛ-ВО
1	Roller Wallboard	YS-4B-200	1
2	Swing Axle	YS-4B-215	1
3	Self-Lubricated Flange Bearing	15x12x12	2
4	Swing Block	YS-4B-213	1
5	Tension Block	YS-4B-218	1
6	Inner Hexagon Reamed Hole Bolt	Φ10X20	1
7	Tension Spring	YS-04-212	1
8	Bearing	MCYR6S	1
9	Cover Plate	YS-4B-212	1
10	Pull Rod	YS-4B-214	1
11	Joint Bearing	SA8T	1
12	Tension Compressed Spring	A1100	1
13	Tension Wheel Carrier	YS-4B-209	1
14	Self-Lubricated Flange Bearing	15x12x10	2
15	Strap feeding shaft	YS-4B-210	1
16	Inner Hexagon Reamed Hole Bolt	Φ10X16	1
17	Tension Roller	YS-4B-208	1
18	Clamp Spring	R-22	1
19	Bearing	6900	2
20	Guide Plate	YS-4B-211	1
21	Tension Roller	YS-4B-207	1
22	Bearing	6201	1
23	Flat Key	4x4x24	1
24	Motor	M3	1
51	Flat Washer	Φ6x18	1
52	Spring Washer	Φ6	1
53	Cup Head Inner Hexagon Screw	M6x12	1
54	Retaining Nut	M8	2
55	Spring Washer	Φ8	1
56	Hexagon Nut	M8	1
57	Hexagon Nut	M5	1
58	Inner Hexagon Screw	M5x12	1
59	Inner Hexagon Screw	M4x10	2
60	Inner Hexagon Screw	M6x16	2
61	Cup Head Inner Hexagon Screw	M5x12	1
62	Spring Washer	Φ5	1
63	Flat Washer	Φ5x18	1
64	Cup Head Inner Hexagon Screw	M6x16 (Grade 12.9)	1
65	Cup Head Inner Hexagon Screw	M6x12	1
66	Spring Washer	Φ6	1
67	Flat Washer	Φ6x18	1
68	Inner Hexagon Screw	M5x20	1
69	Inner Hexagon Nut	M5	1

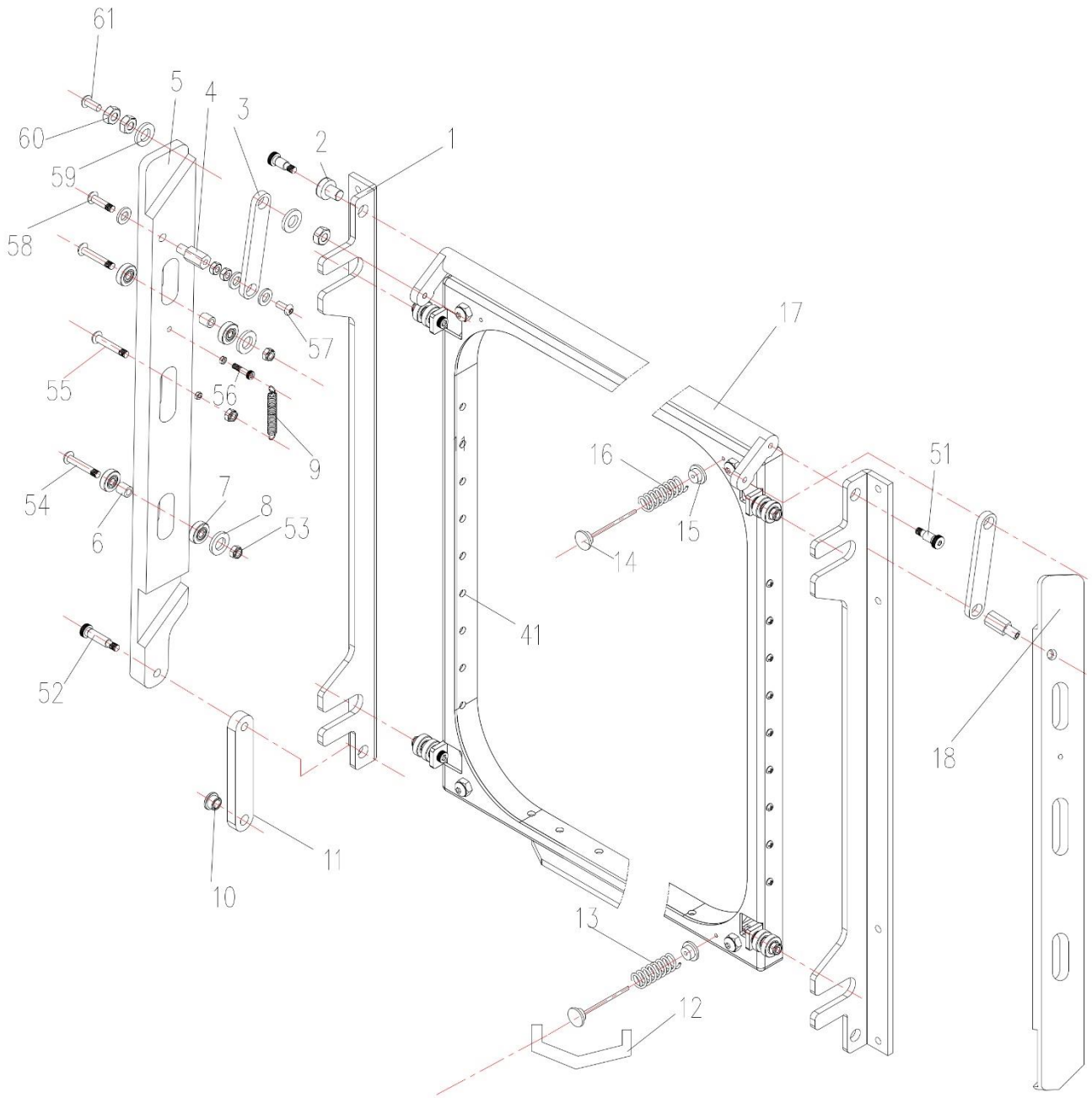
70	Flat Washer	Φ12	1
71	Spring Washer	Φ12	1
72	Inner Hexagon Nut	M12	1
73	Inner Hexagon Screw	M5x20	4
74	Inner Hexagon Screw	M6x12	1
75	Spring Washer	Φ6	1
76	Flat Washer	Φ6	1



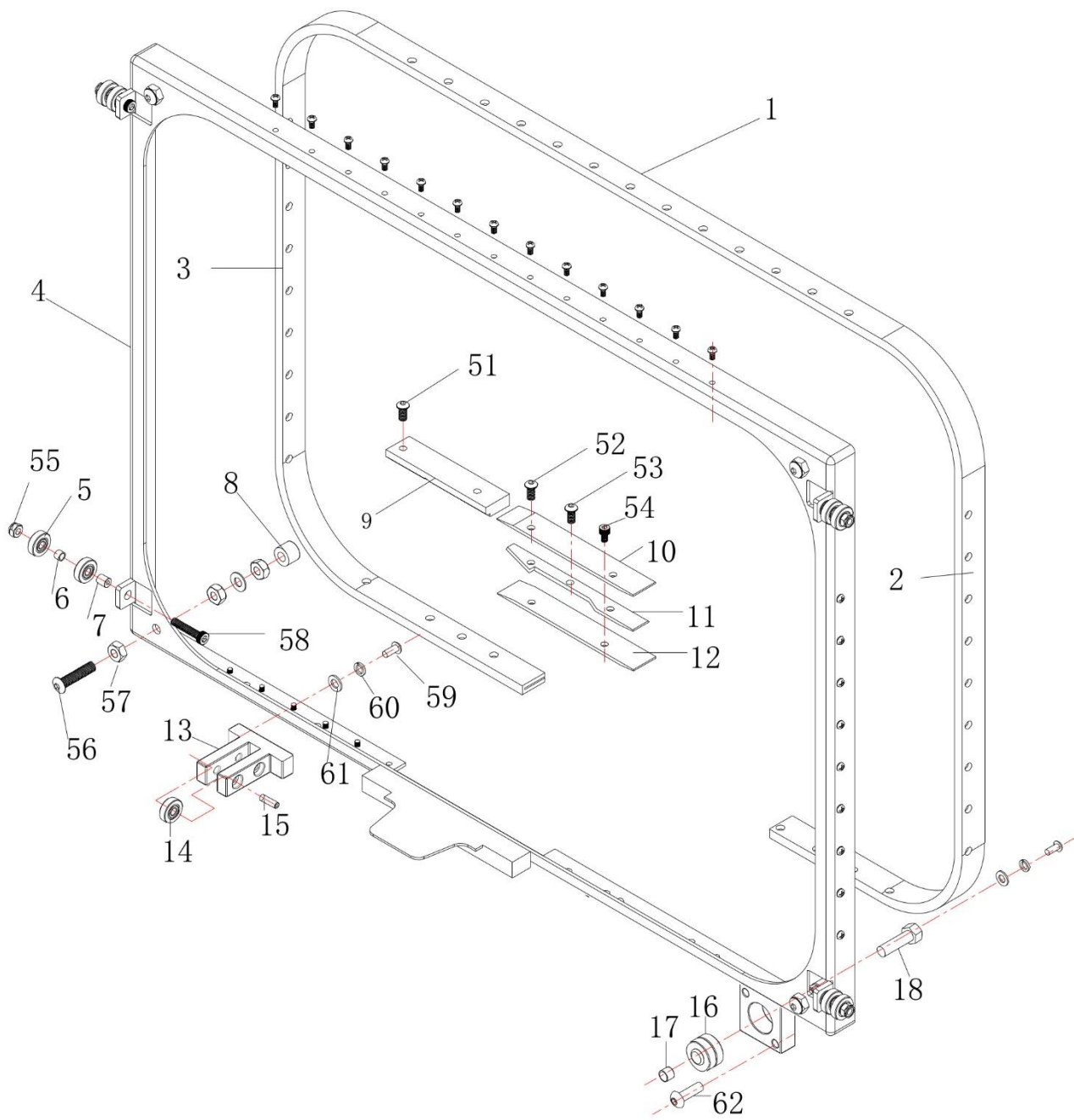
№.	НАИМЕНОВАНИЕ	КОД ДЕТАЛИ	КОЛ-ВО
1	Motor Base	YS-4B-400	1
2	Handle Plate Rod	YS-4B-411	1
3	Black Nylon Ball	M6	1
4	Handle Plate	YS-4B-412A	1
5	Inner Hexagon Reamed Hole Bolt	Φ6X10	1
6	Bearing	6200	1
7	Pre-Feeding Roller	YS-4B-415	1
8	Guide Plate	YS-4B-402	1
9	Guide Plate	YS-4B-403	1
10	Cover Plate	YS-4B-405	1
11	Tension Spring	YS-4B-416A	1
12	Clamp Spring	S-8	1
13	Sliding Sleeve	YS-4B-414	1
14	Sliding Sleeve Shaft	YS-4B-409	1
15	Cover Plate	YS-4B-406	1
16	Guide Plate	YS-4B-404	1
17	Inner Hexagon Reamed Hole Bolt	Φ8X12	1
18	Bearing	619/8	2
19	Swing Plate	YS-4B-401	1
20	Swing Axle	YS-4B-408	1
21	Spacer Plate	YS-4B-407	1
22	Motor	M4	1
23	Flat Key	4X14	1
51	Cup Head Inner Hexagon Screw	M6X16	1
52	Spring Washer	Φ5X18	1
53	Flat Washer	Φ5	1
54	Cup Head Inner Hexagon Screw	M5X12	1
55	Inner Hexagon Screw	M5X16	6
56	Nut	M5	2
57	Cup Head Inner Hexagon Screw	M5X16	2
58	Cup Head Inner Hexagon Screw	M5X10	5
59	Cup Head Inner Hexagon Screw	M5X12	1
60	Spring Washer	Φ5	1
61	Flat Washer	Φ5	1
62	Hexagon Socket Countersunk	M5X8	2
	Head Screw		
63	Flat Washer	Φ5	1
64	Spring Washer	Φ5	1
65	Cup Head Inner Hexagon Screw	M5X12	1
66	Spring Washer	Φ5	4
67	Inner Hexagon Screw	M5X20	4



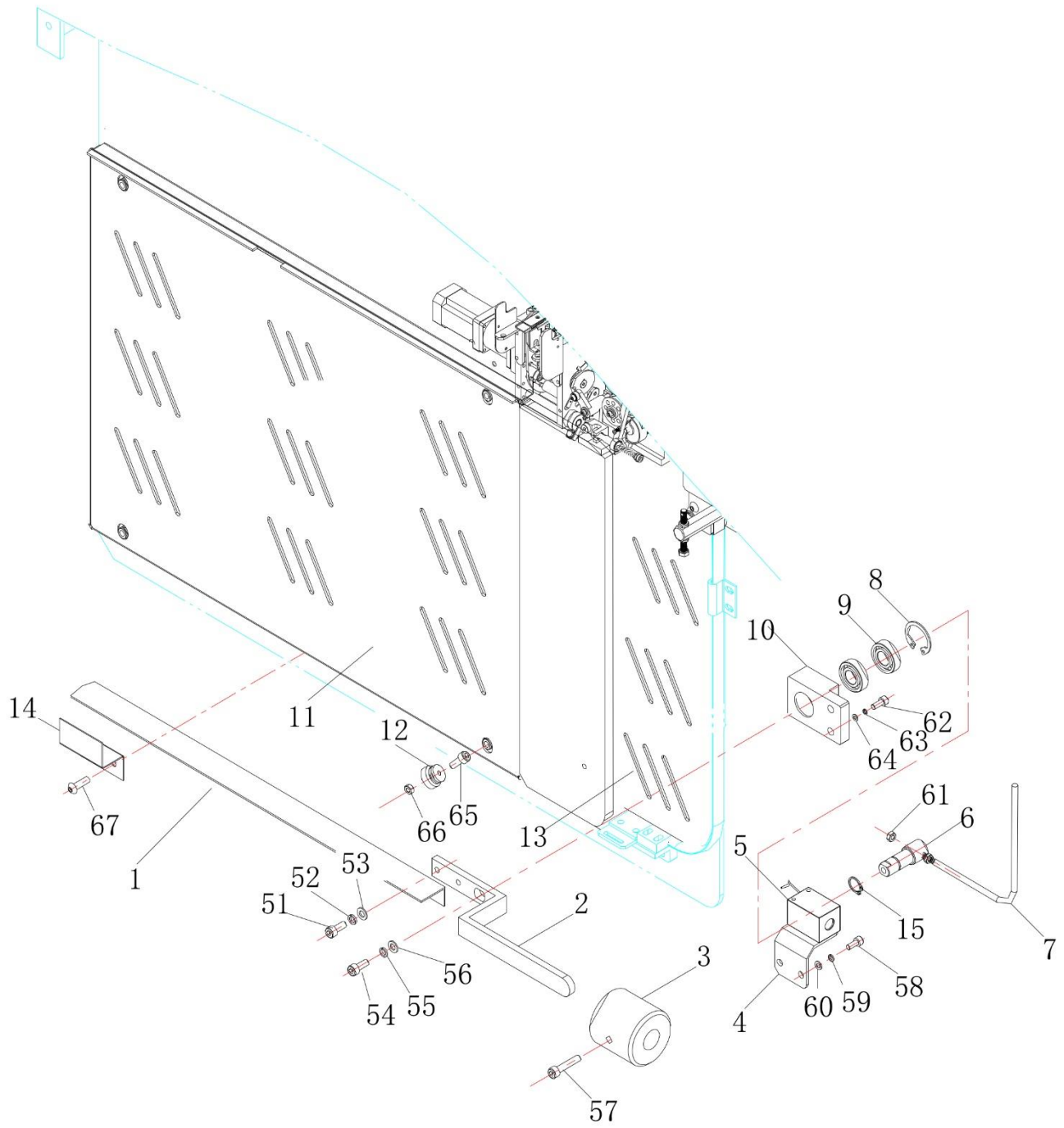
№.	НАИМЕНОВАНИЕ	КОД ДЕТАЛИ	КОЛ-ВО
1	Strap Threading Base Plate	YS-4A-234II	1
2	Barrier	YS-04-243II	1
3	Strap Guide Plate	YS-4A-233A	1
4	Locating Pillar	YS-04-239-(5)	2
5	Linear Bearing	LMF12UU	2
6	Supporting Guide Rod	YS-04-240A	2
7	Connecting Rod for Guide Rod	YS-04-238n	1
8	Suction Tube Puller	YS-04-241	1
9	Compressed Spring	YS-04-284	1
10	Spring Pin	Φ5x14	1
11	Electromagnet	DC24V	1
12	Suction Tube Fixing Plate	YS-04-242	1
51	Cup Head Inner Hexagon Screw	M4x6	2
52	Cup Head Inner Hexagon Screw	M5x20	2
53	Spring Washer	Φ5	2
54	Flat Washer	Φ5x13	2
55	Inner Hexagon Screw	M5x10	3
56	Flat Washer	Φ4	8
57	Inner Hexagon Screw	M4x14	8
58	Flat Washer	Φ5	2
59	Spring Washer	Φ5	2
60	Cup Head Inner Hexagon Screw	M5x20	2
61	Flat Washer	Φ6	2
62	Spring Washer	Φ6	2
63	Retaining Nut	M6	2
64	Flat Washer	Φ5	8
65	Spring Washer	Φ5	8
66	Inner Hexagon Screw	M5x12	8



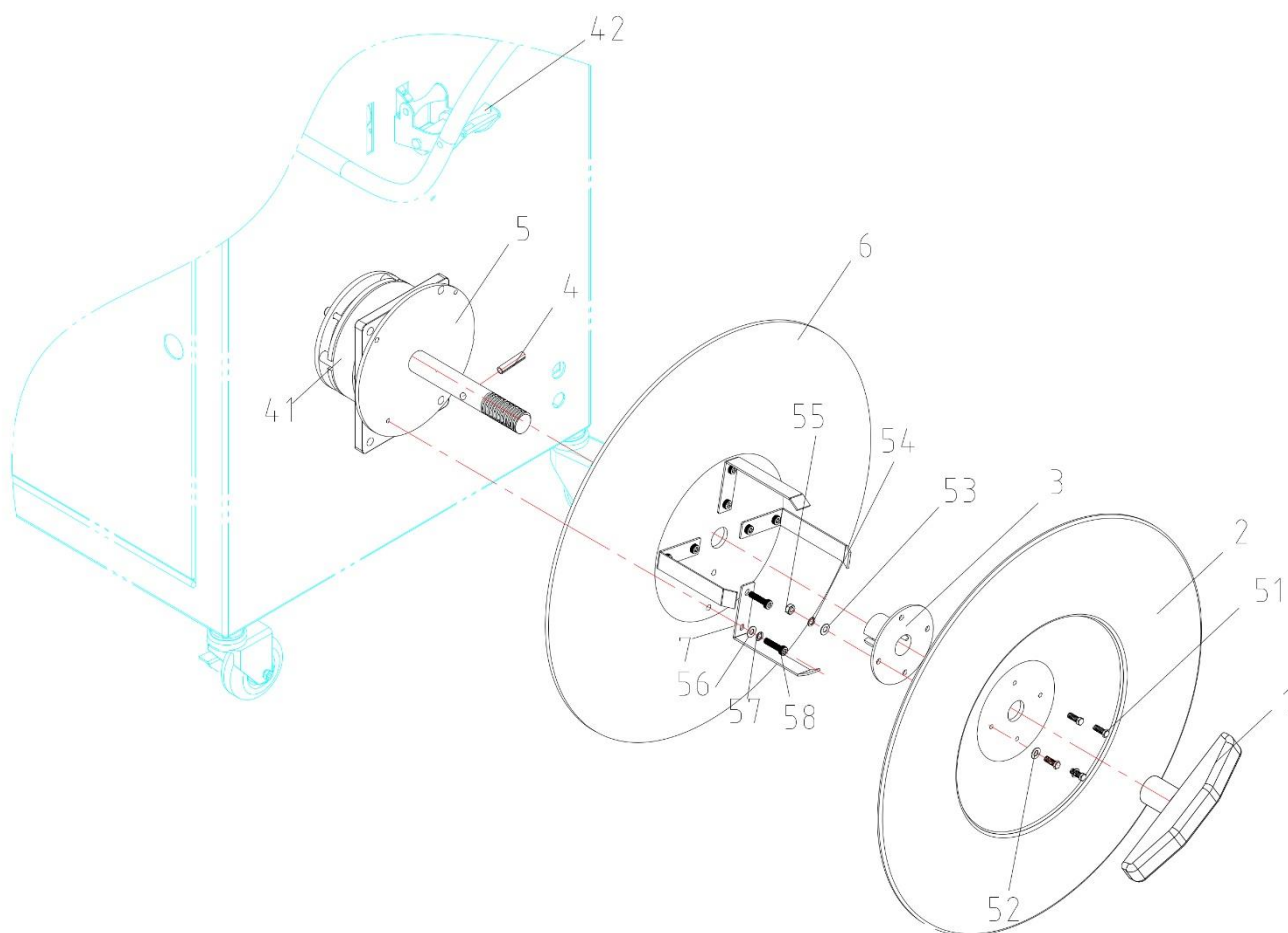
No.	НАИМЕНОВАНИЕ	КОД ДЕТАЛИ	КОЛ-ВО
1	Arch Fixing Plate	YS-04-306A	2
2	Flanged bronze bushing	Φ12xφ8x7.7	2
3	Connecting Plate	YS-4A-305	2
4	Fixing Rod	YS-4A-304	2
5	Left Drive Plate	YS-4A-303	1
6	Spacer Sleeve	YS-04-316	2
7	Bearing	626	8
8	Washer	YS-2A-65	4
9	Tension Spring	YS-04-212	2
10	Fixing Sleeve	YS-04-311	1
11	Connecting Block	YS-04-310	1
12	Arch Baffle Plate	YS-04-318	4
13	Compressed Spring	YS-04-321	3
14	Ejector Pin	YS-04-314	4
15	Spring Housing	YS-04-313	4
16	Compressed Spring	YS-04-320	1
17	Connecting Rod	YS-04-312A	3
18	Right Drive Plate	YS-4A-302	1
41	Arch Guide Rail Assembly	YS-04-30	1
51	Inner Hexagon Reamed Hole Bolt	Φ8x12	2
52	Inner Hexagon Reamed Hole Bolt	Φ8x25	1
53	Retaining Nut	M6	6
54	Cup Head Inner Hexagon Screw	M6x35	4
55	Cup Head Inner Hexagon Screw	M6x40	2
56	Inner Hexagon Screw	M6x20	2
57	Cup Head Inner Hexagon Screw	M6x35	2
58	Inner Hexagon Screw	M5x12	2
59	Flat Washer	Φ6	10
60	Hexagon Nut	M6	14
61	Cup Head Inner Hexagon Screw	M6x30	2



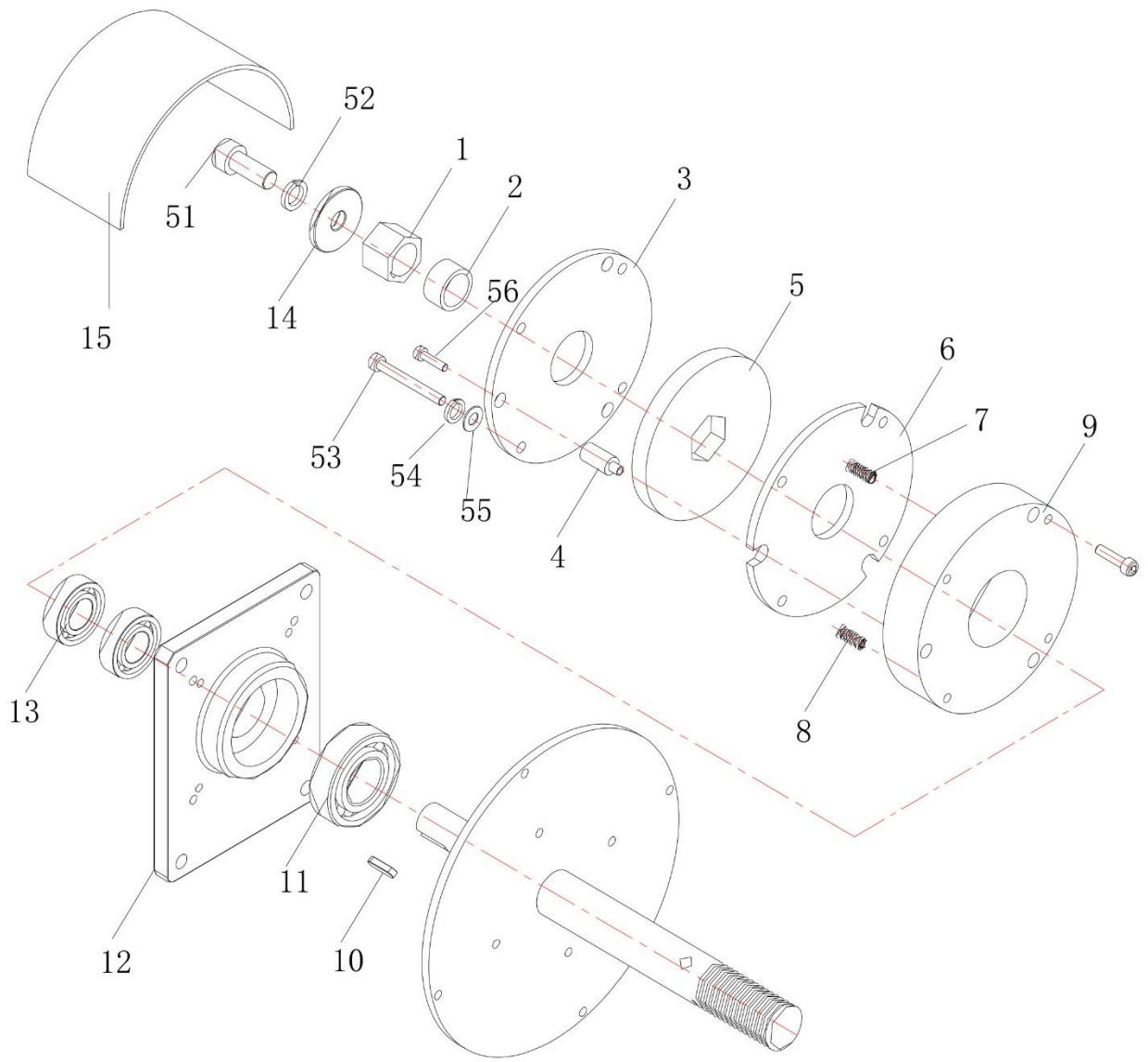
№.	НАИМЕНОВАНИЕ	КОД ДЕТАЛИ	КОЛ-ВО
1	Upper Straight Strapway	YS-4A-322	1
2	Right Upright Strapway	YS-4A-322R	1
3	Left Upright Strapway	YS-4A-322L	1
4	Arch Base Plate	YS-4A-300A	1
5	Bearing	626	8
6	Spacer Sleeve	YS-4A-307	4
7	Spacer Sleeve	YS-04-316	4
8	Stop Collar	YS-04-315	4
9	Strap Guide Plate	YS-4A-306	1
10	StrapStopPlate(1)	YS-04-326	1
11	Baffle Plate	YS-04-325	1
12	StrapStopPlate(2)	YS-04-324	1
13	Bearing Seat	YS-04-176	2
14	Bearing	626	4
15	Spring Pin	Φ6x20	4
16	Self-lubricated Centripetal Joint Bearing	GEBK10S	1
17	Oil Bearing	0815	1
18	Locating Pillar	YS-4A-301	1
51	Cup Head Inner Hexagon Screw	M5x12	2
52	Cup Head Inner Hexagon Screw	M5x8	2
53	Cup Head Inner Hexagon Screw	M4x6	1
54	Hexagon Socket Countersunk Head Screw	M5x8	2
55	Retaining Nut	M6	4
56	Cup Head Inner Hexagon Screw	M8x35	4
57	Nut	M8	8
58	Inner Hexagon Screw	M6x40	4
59	Inner Hexagon Screw	M5x12	3
60	Spring Washer	Φ5	3
61	Flat Washer	Φ5	3
62	Cup Head Inner Hexagon Screw	M5x8	2



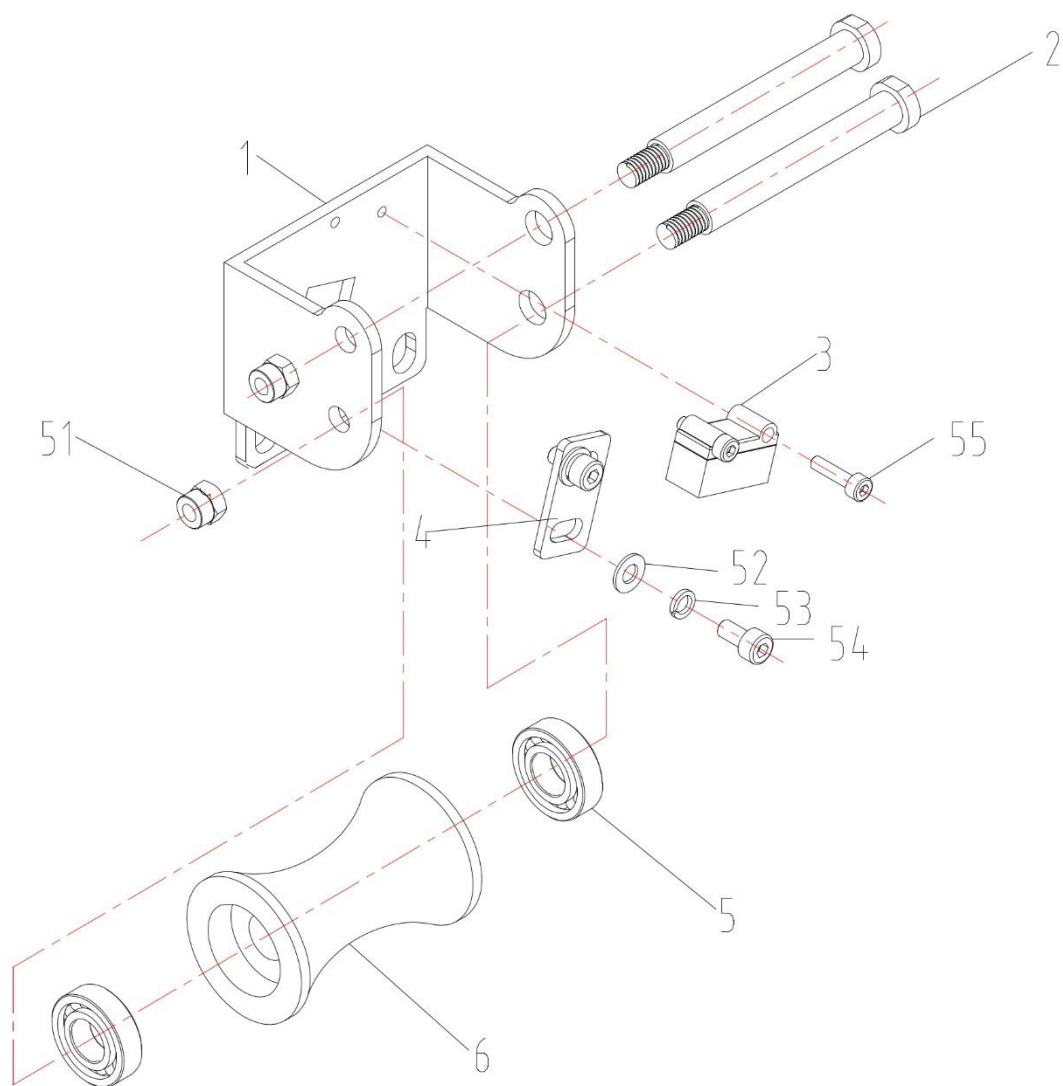
№.	НАИМЕНОВАНИЕ	КОД ДЕТАЛИ	КОЛ-ВО
1	Accumulator Box Lever	YS-04-416II	1
2	Accumulator Box Adjusting Lever	YS-04-412	1
3	Clump Weight	YS-04-413	1
4	Sensor Switch Rack	YS-04-419	1
5	Proximity Switch	QS-05NB	1
6	Shaft	YS-4B-418	1
7	Detecting Pole	YS-04-418A	1
8	Clamp Spring	R-22	1
9	Bearing	6900	2
10	Bearing Seat	YS-04-269	1
11	Accumulator Box Plate	YS-305III-004	1
12	Accumulator Box Mast	YS-4B-417	8
13	Right Plate of Accumulator Box	YS-305III-003	1
14	Stopper Plate	YS-04-417	1
15	Clamp Spring	S-10	1
51	Inner Hexagon Screw	M4x12	2
52	Spring Washer	Φ4	2
53	Flat Washer	Φ4	2
54	Inner Hexagon Screw	M5x12	1
55	Spring Washer	Φ5	1
56	Flat Washer	Φ5	1
57	Inner Hexagon Screw	M6x25	1
58	Inner Hexagon Screw	M4x8	2
59	Spring Washer	Φ4	2
60	Flat Washer	Φ4	2
61	Hexagon Nut	M5	2
62	Inner Hexagon Screw	M5x12	2
63	Spring Washer	Φ5	2
64	Flat Washer	Φ5	2
65	Inner Hexagon Screw	M5x20	8
66	Retaining Nut	M5	8
67	Cup Head Inner Hexagon Screw	M5x6	2



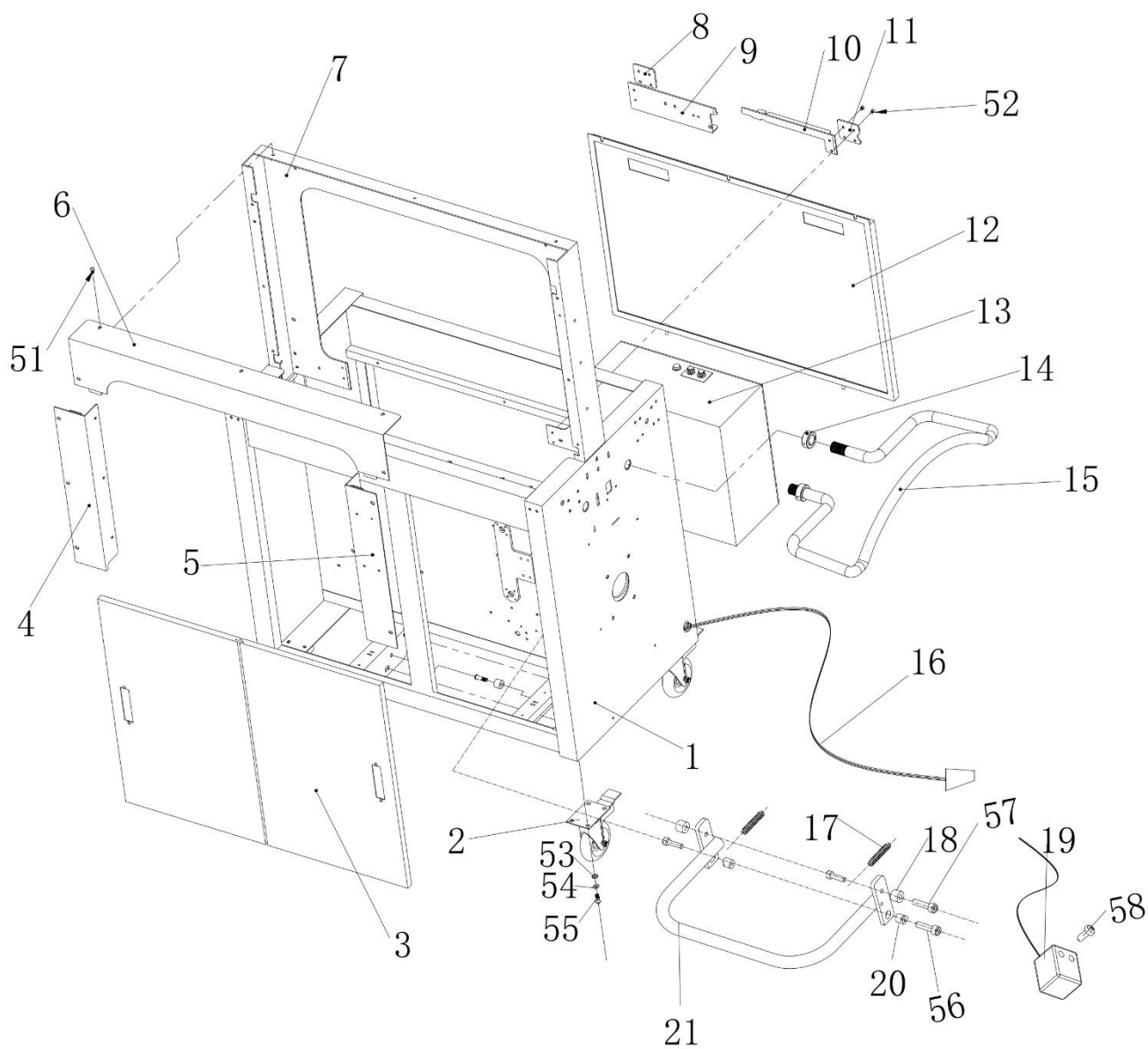
№.	НАИМЕНОВАНИЕ	КОД ДЕТАЛИ	КОЛ-ВО
1	Hand Wheel	00-192	1
2	Outer Flange	00-189	1
3	Shaft Sleeve Flange	YS-2A-87	1
4	Spring Pin	Φ8x40	1
5	Fixed Shaft Plate	YS-04-405	1
6	Inner Flange	00-142	1
7	Supporting Claw	00-143	4
41	Strap Reel Brake Assembly	YS-04-42	1
42	Strap Roller Assembly	YS-04-43	1
51	Inner Hexagon Screw	M6x12	4
52	Flat Washer	Φ6	4
53	Flat Washer	Φ6	4
54	Spring Washer	Φ6	4
55	Retaining Nut	M6	4
56	Flat Washer	Φ6	8
57	Spring Washer	Φ6	8
58	Inner Hexagon Screw	M6x12	8



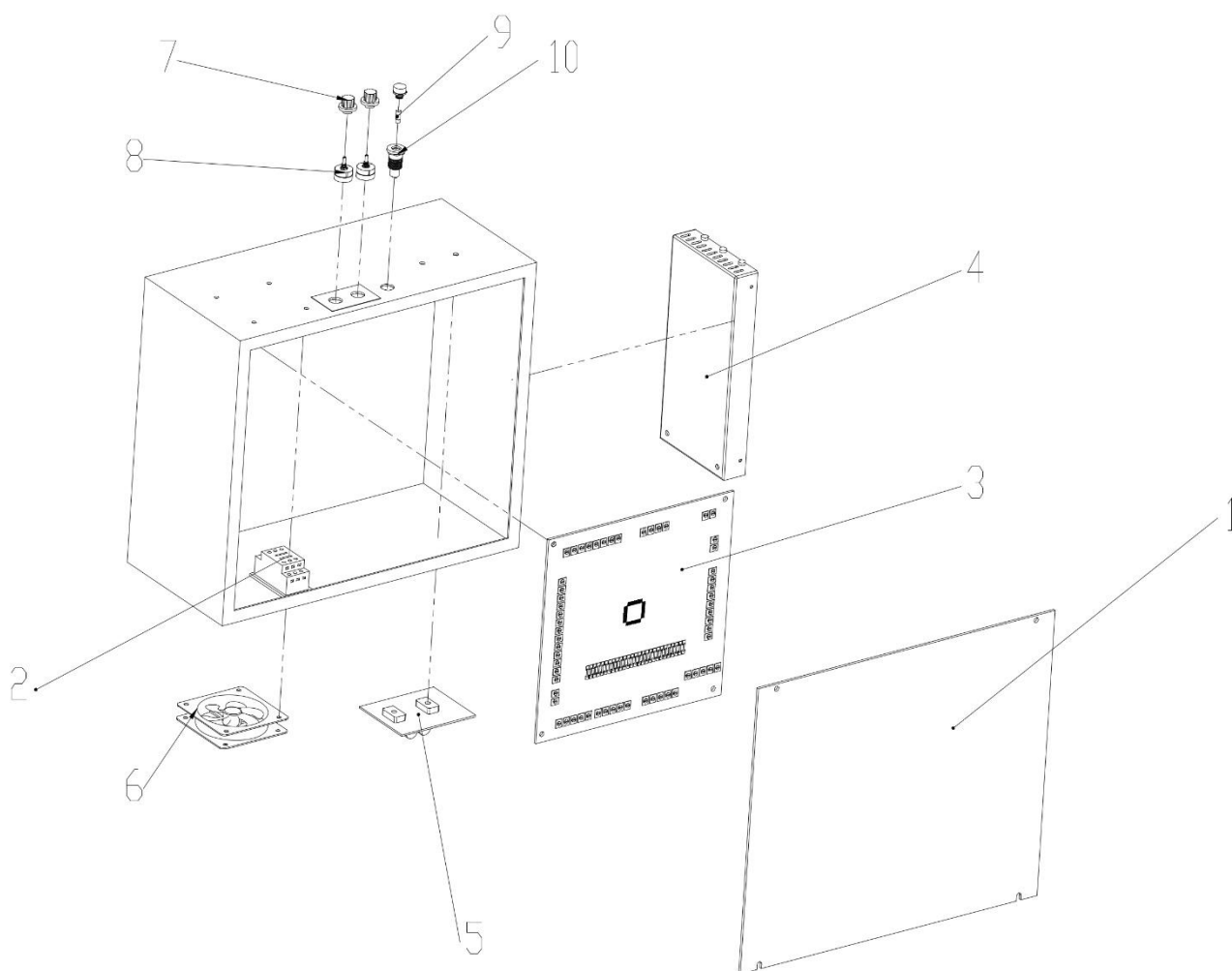
№.	НАИМЕНОВАНИЕ	КОД ДЕТАЛИ	КОЛ-ВО
1	Stop Collar	YS-04-407A	1
2	Spacer Bush	YS-04-408	1
3	Fixing Plate	YS-04-402	1
4	Post	YS-04-406	3
5	Friction Plate	YS-04-404A	1
6	Brake Pad	YS-04-401	1
7	Compressed Spring	YS-04-410A	3
8	Compressed Sprin	YS-04-410	3
9	Brake Coil	YS-04-400	1
10	Flat Key	5x5x20	1
11	Bearing	6303	1
12	Brake Fixing Plate	YS-04-403	1
13	Bearing	6003	2
14	Washer	YS-04-409	1
15	Block	YS-04-411	1
51	Cup Head Inner Hexagon Screw	M8x20	1
52	Spring Washer	Φ8	1
53	Inner Hexagon Screw	M6x65	4
54	Spring Washer	Φ6	4
55	Flat Washer	Φ6	4
56	Inner Hexagon Screw	M5x45	3



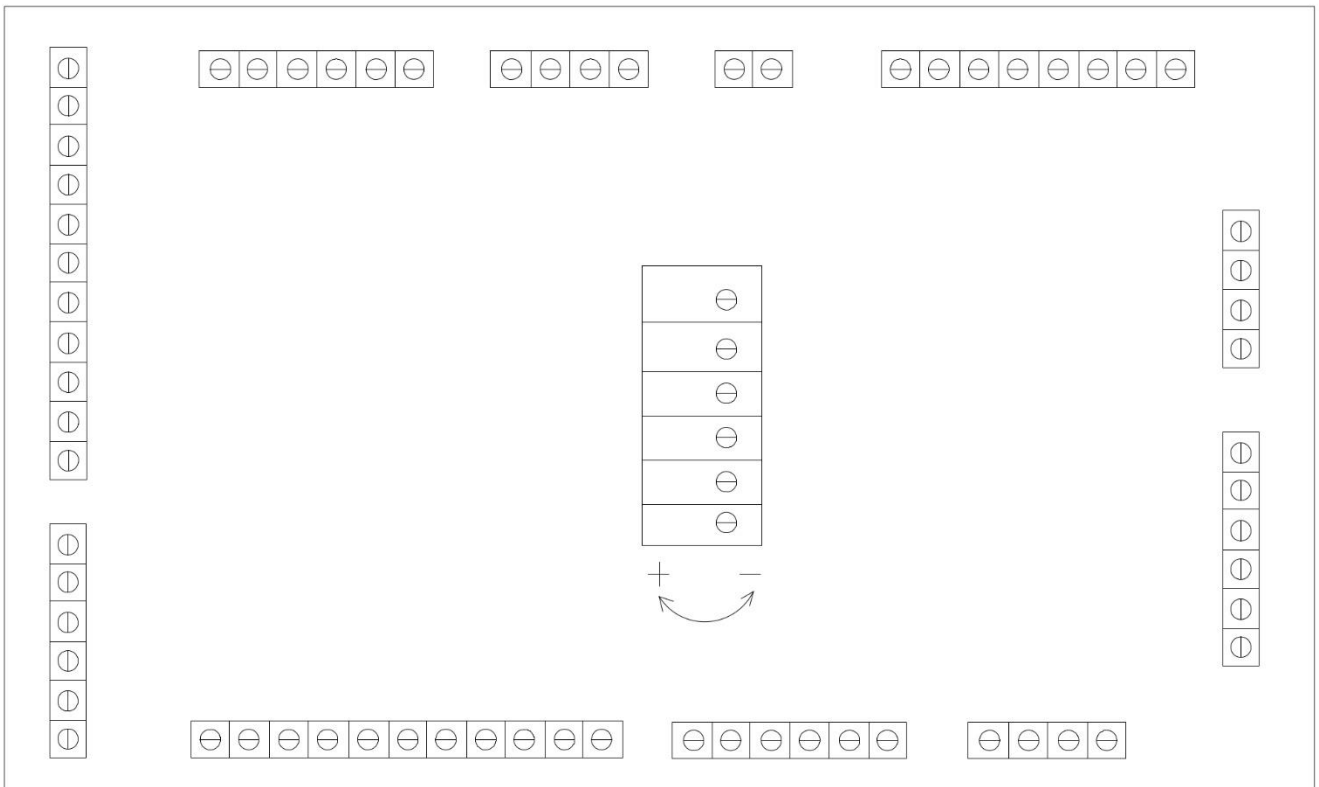
№.	НАИМЕНОВАНИЕ	КОД ДЕТАЛИ	КОЛ-ВО
1	Strap Guide Roller Holder	YS-4B-419	1
2	Strap Guide Roller Shaft	YS-04-433	2
3	Proximity Switch	GTB2S-N1331	1
4	Stopper	YS-4B-425	1
5	Bearing	608	2
6	Strap Guide Roller	YS-04-431	1
51	Retaining Nut	M6	2
52	Flat Washer	Φ4	2
53	Spring Washer	Φ4	2
54	Inner Hexagon Screw	M4X6	2
55	Inner Hexagon Screw	M3X10	2



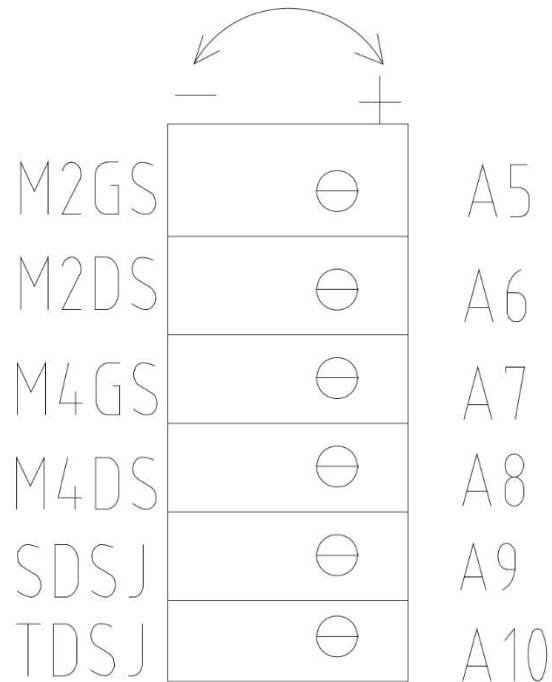
№.	НАИМЕНОВАНИЕ	КОД ДЕТАЛИ	КОЛ-ВО
1	Body Frame	Y8-305III-000	1
2	Flattop Nylon Caster	3 <i>cun</i>	4
3	Front Door	Y8-305II-001	2
4	Arch Cover Plate	Y8-305III-023	1
5	Arch Cover Plate	Y8-305III-022	1
6	Arch Cover Plate	Y8-305III-021	1
7	Arch Base Plate	Y8-305III-099	1
8	Connecting Plate	Y8-305III-102	1
9	Left 8strapway Base Plate	Y8-305III-100	1
10	Right 8strapway Base Plate	Y8-305III-101	1
11	Connecting Plate	Y8-305III-103	1
12	Rear Door	Y8-305II-002	1
13	PC Box	Y8-305W-025II	1
14	Round Nut	00-30	4
15	Rail	Y8-305II-007	1
16	Power Line		1
17	8pring	01-21	2
18	Washer	Y8-305II-069	2
19	Proximity Switch	NBN5-F7-E0	1
20	Foot Bar Fulcrum 8shaft	Y8-305II-066	2
21	Foot Bar	Y8-305II-070A	1
51	Cup Head Inner Hexagon 8screw	M6x8	9
52	Hexagon 8ocket Countersunk	M5x6	8
	Head 8screw		
53	Flat Washer	Φ8	16
54	8pring Washer	Φ8	16
55	Outer Hexagon 8screw	M8x10	16
56	Inner Hexagon 8screw	M6x30	2
57	Cup Head Hexagon 8screw	M8x30	2
58	Cross Recess Head 8screw	M3x25	2

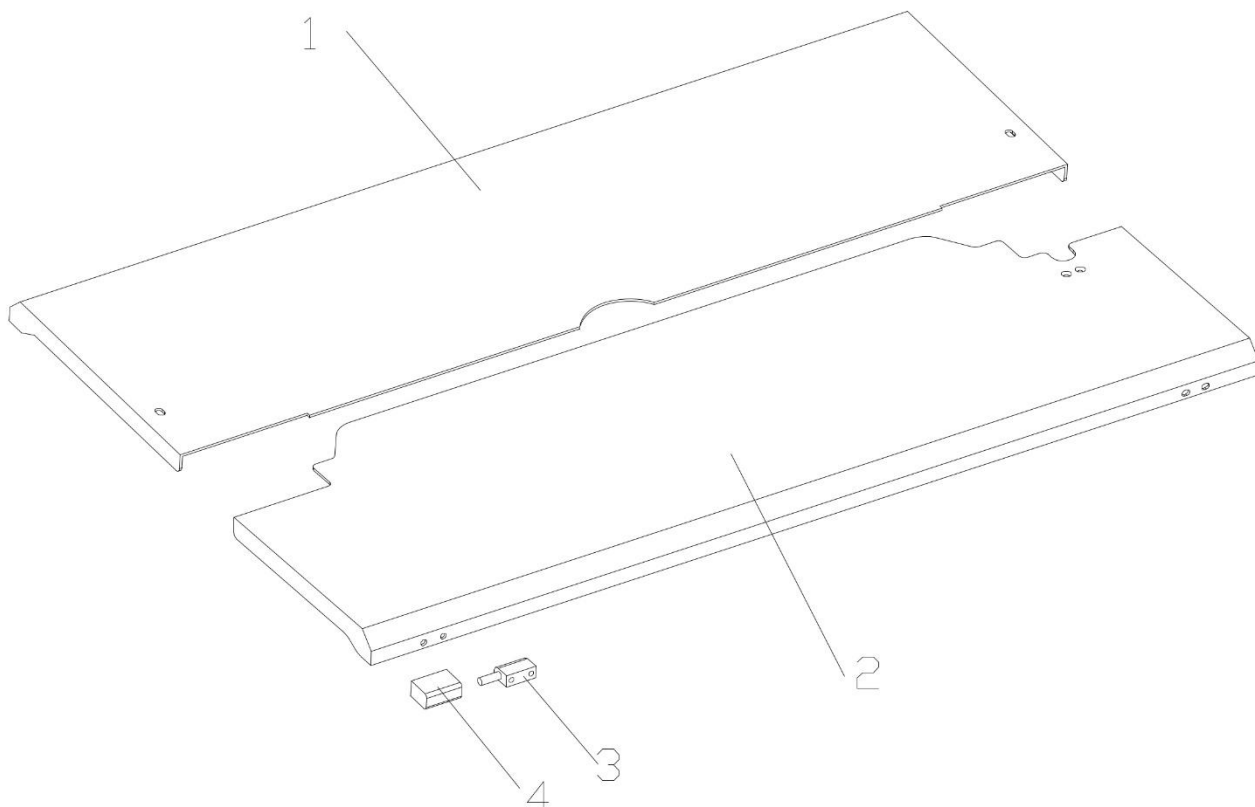


№.	НАИМЕНОВАНИЕ	КОД ДЕТАЛИ	КОЛ-ВО
1	PC Box Cover	YS-305W-026П	1
2	Contactor	LC1D18	1
3	Control Panel	YS-305-MCU	1
4	Switching Power Supply	S-600-24V	1
5	power panel	YS-P24V	1
6	Fan	8025	1
7	Potentiometer Knob	A02	2
8	Potentiometer	B103K	2
9	Fuse	Φ5x20 20A	1
10	Round Fuse Holder	Φ5x20	1

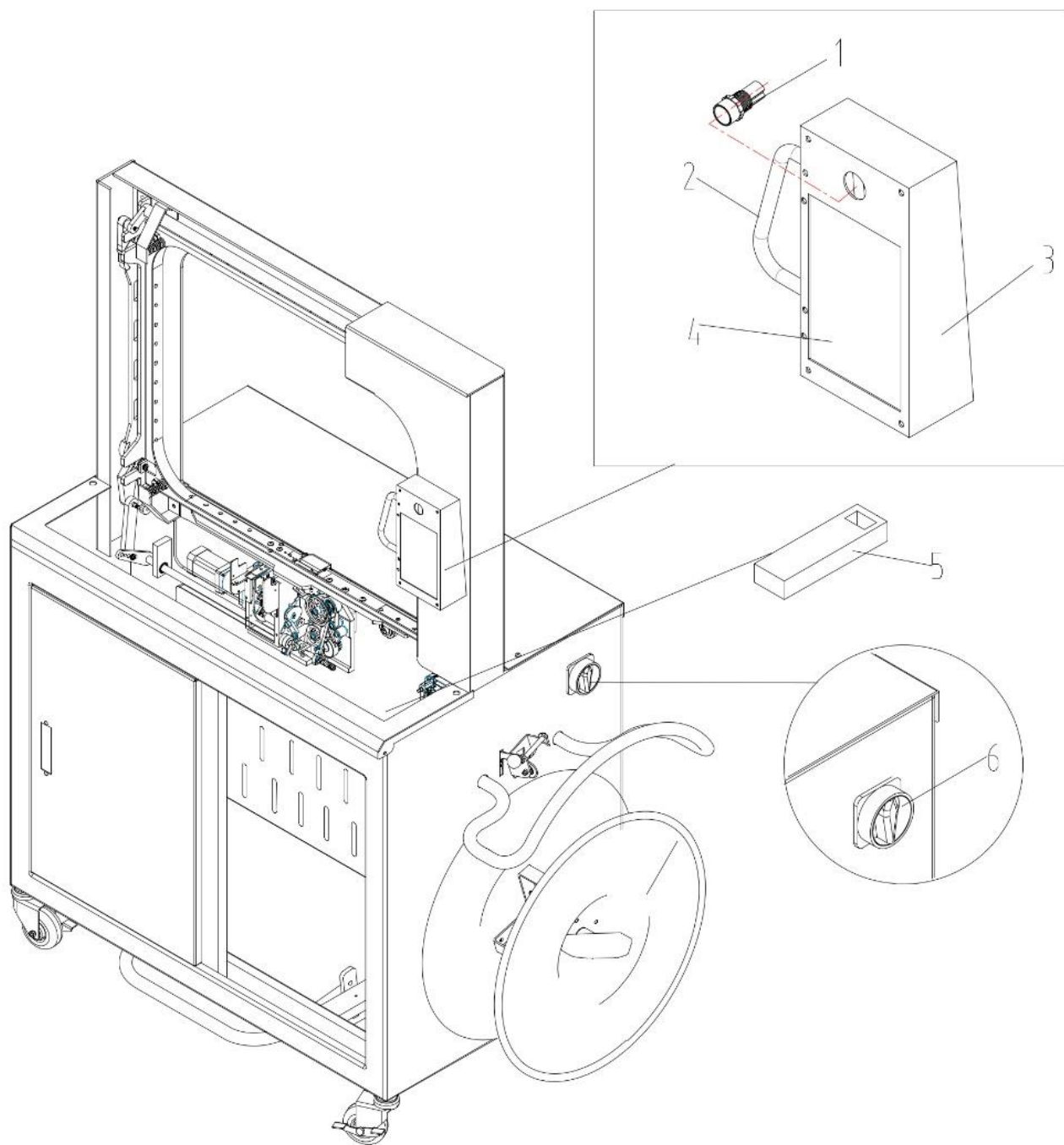


Control Panel Schematic Diagram





№.	НАИМЕНОВАНИЕ	КОД ДЕТАЛИ	КОЛ-ВО
1	Rear Panel	YS-305III-004AP	1
2	Front Panel	YS-305III-003AP	1
3	Dowel Pin	YS-305III-S02	4
4	Connecting Sleeve	YS-305III-S01	4



No.	НАИМЕНОВАНИЕ	КОД ДЕТАЛИ	КОЛ-ВО
1	Indicator Light	XB2BVB1LC	1
2	Handle	YS-4B-423	1
3	Switch Box	YS-4B-420	1
4	Touch Screen	TG465-MT	1
5	Safety Switch	TZ-93B	1
6	2-Phase Disconnector	LW26-20 2P	1

