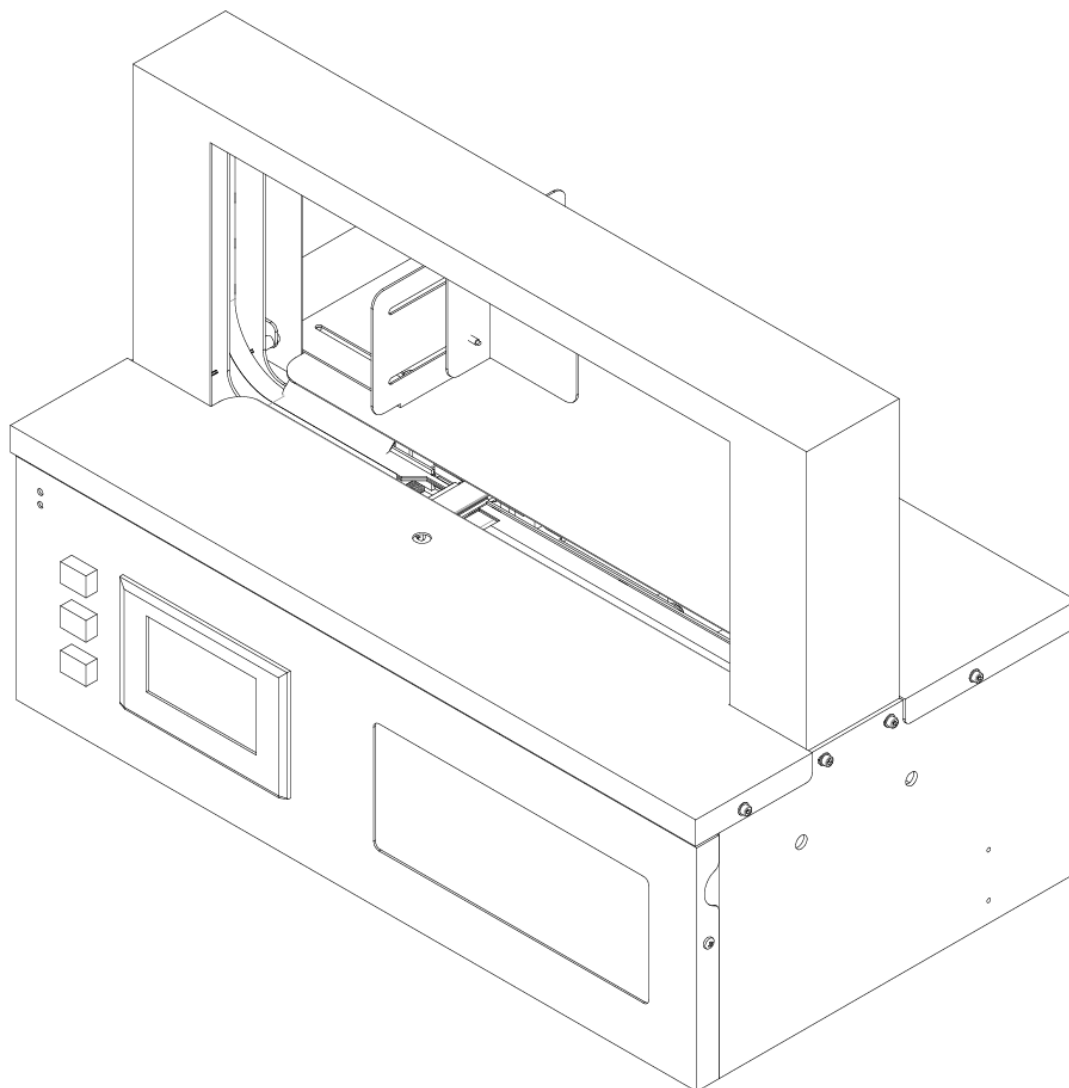
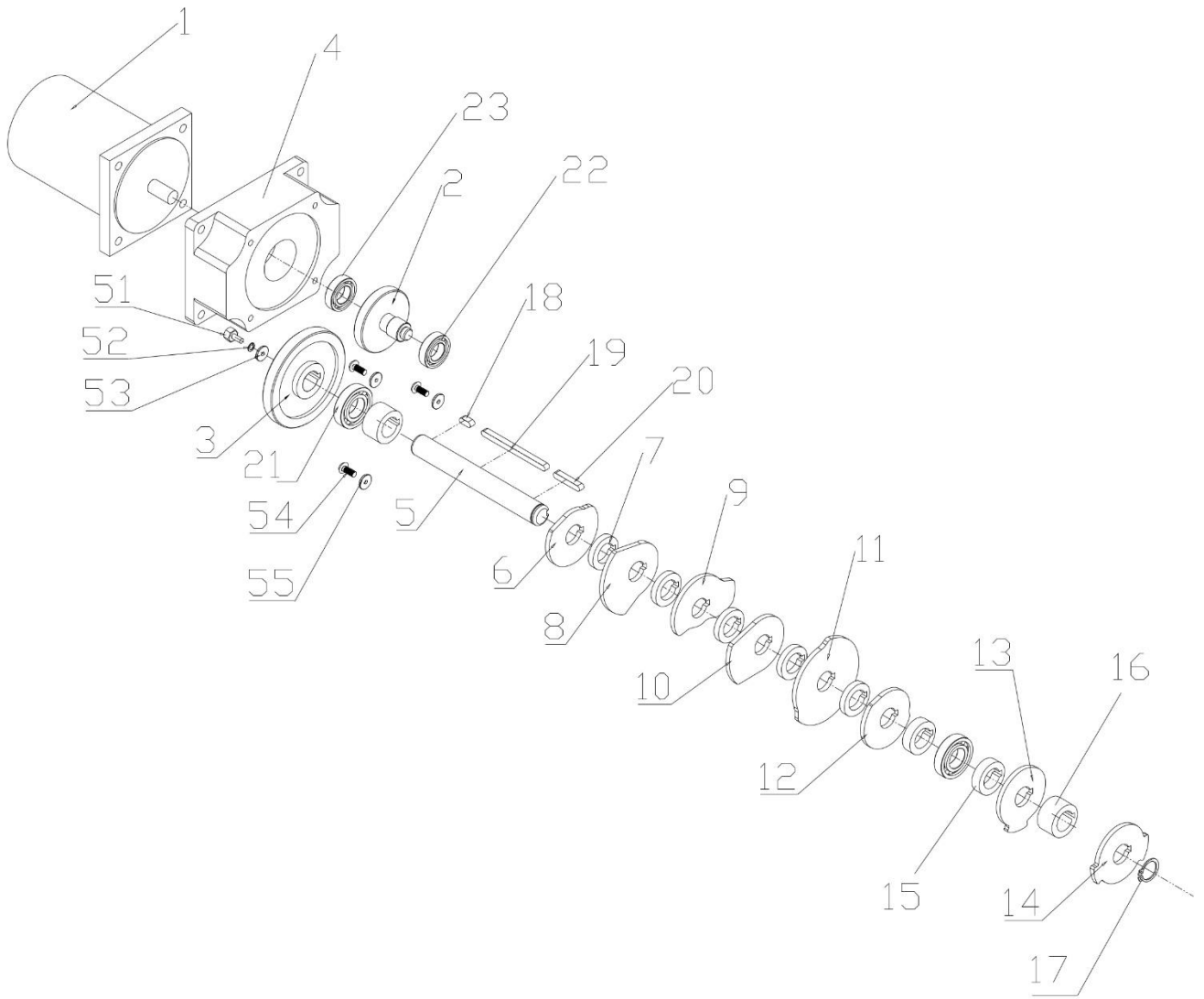


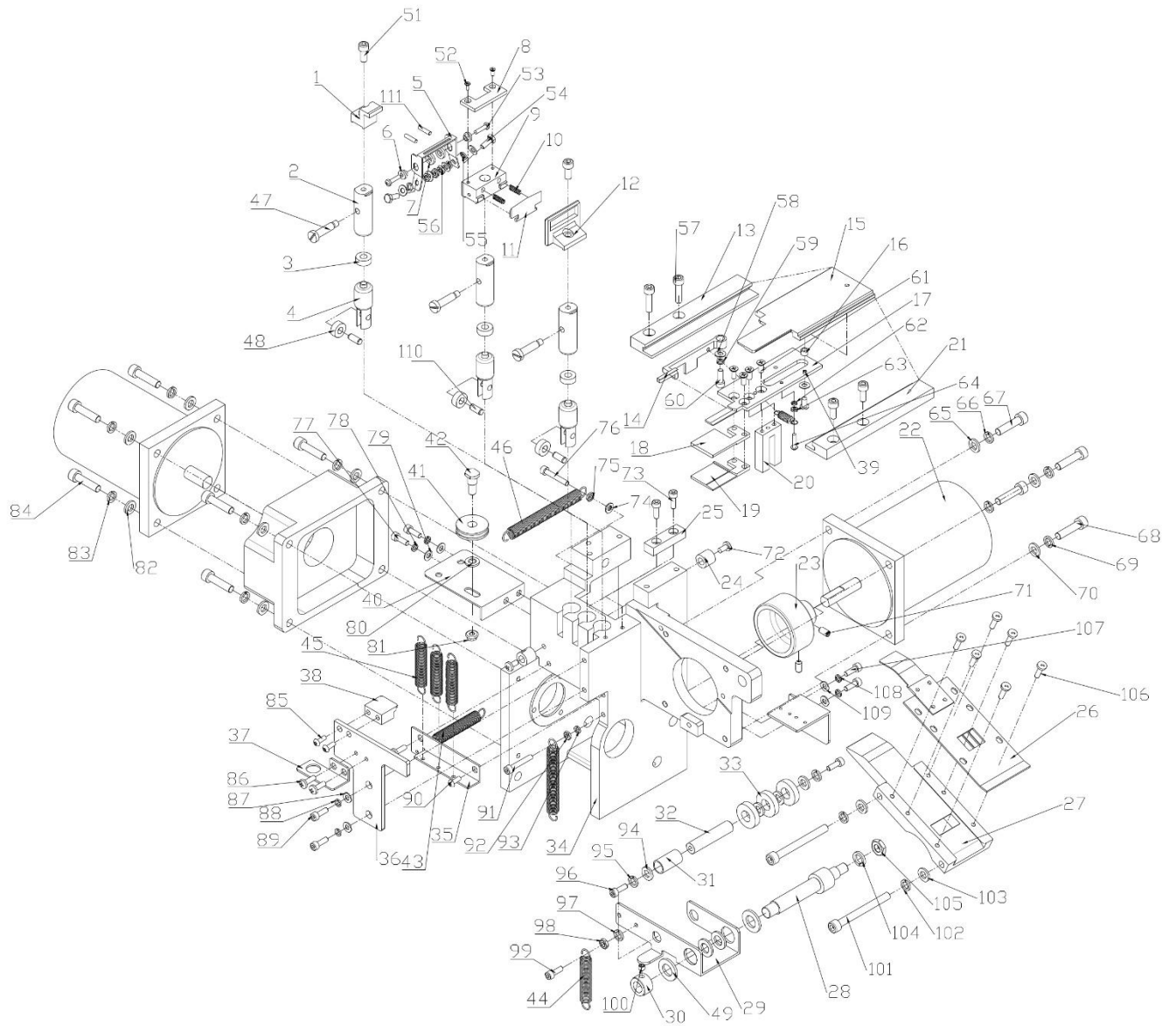
ОБАНДЕРОЛИВАЮЩАЯ МАШИНА

серии **AG02-30**





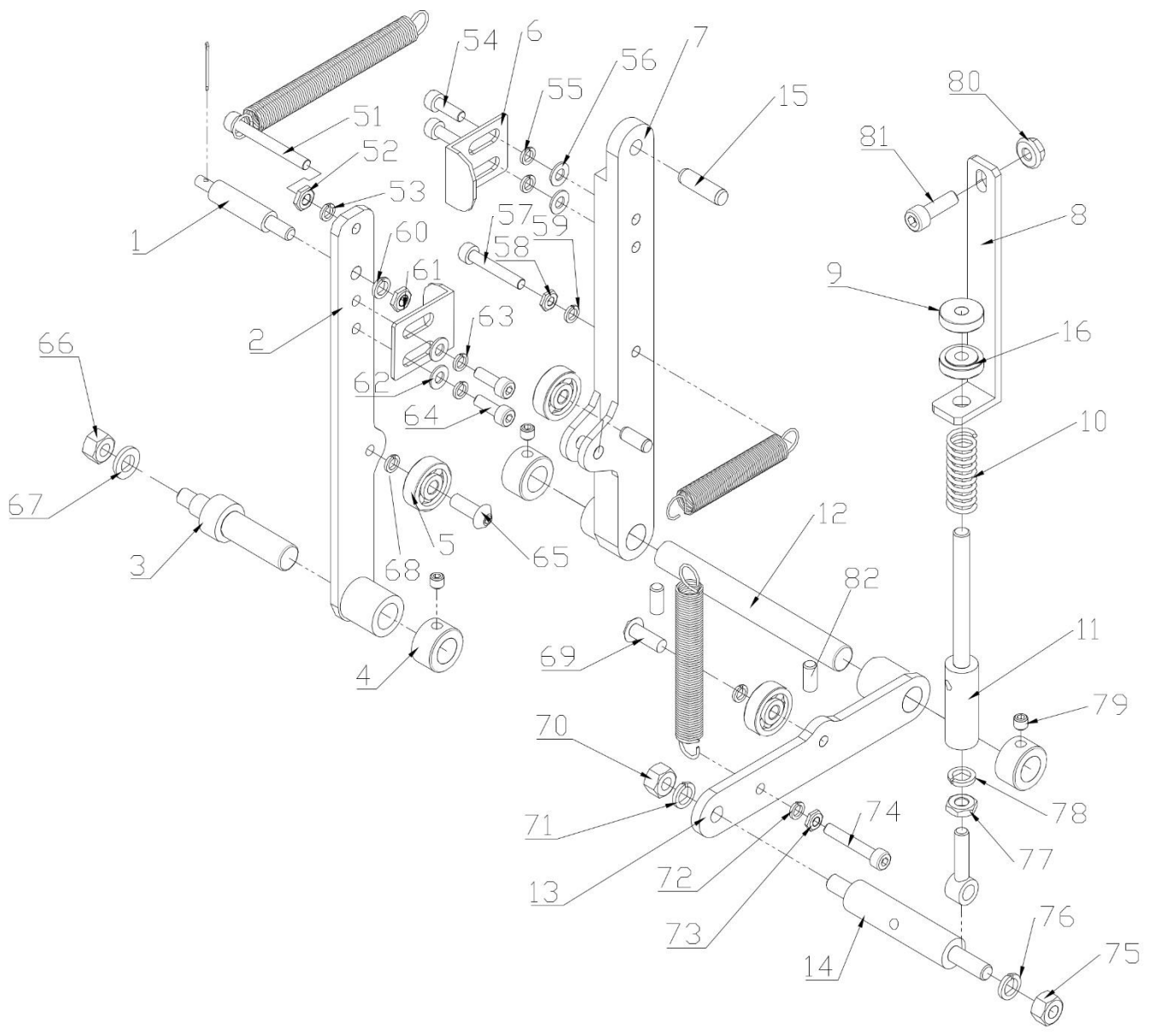
№.	НАИМЕНОВАНИЕ	КОД ДЕТАЛИ	КОЛ-ВО
1	Cam motor	B200	1
2	Transitional gear	B174	1
3	Output gear	B175	1
4	Gear box cover	A0150	1
5	Camshaft	B109	1
6	Track cam	B106	1
7	Cam sleeve	B110	5
8	Left bar cam	B103	1
9	Slide table cam	B105	1
10	Middle bar cam	B102	1
11	Tension cam	B104	1
12	Right bar cam	B101	1
13	Homing cam	B107	1
14	Tape recover cam	B108	1
15	Cam spacer bush 2	B180	2
16	Cam spacer bush 3	B181	2
17	Snap spring for shaft	Φ17	1
18	Double-round key	5x5x10	1
19	Double-round key	5x5x70	1
20	Double-round key	5x5x30	1
21	Bearing	6003	2
22	Bearing	6000	1
23	Bearing	608	1
51	Outer hexagonal screw	M6x16	1
52	Spring washer	Φ6	1
53	Flat washer	Φ6x25	1
54	Big flat head inner hexagonal screw	M5x12	3
55	Flat washer	Φ5x10	3



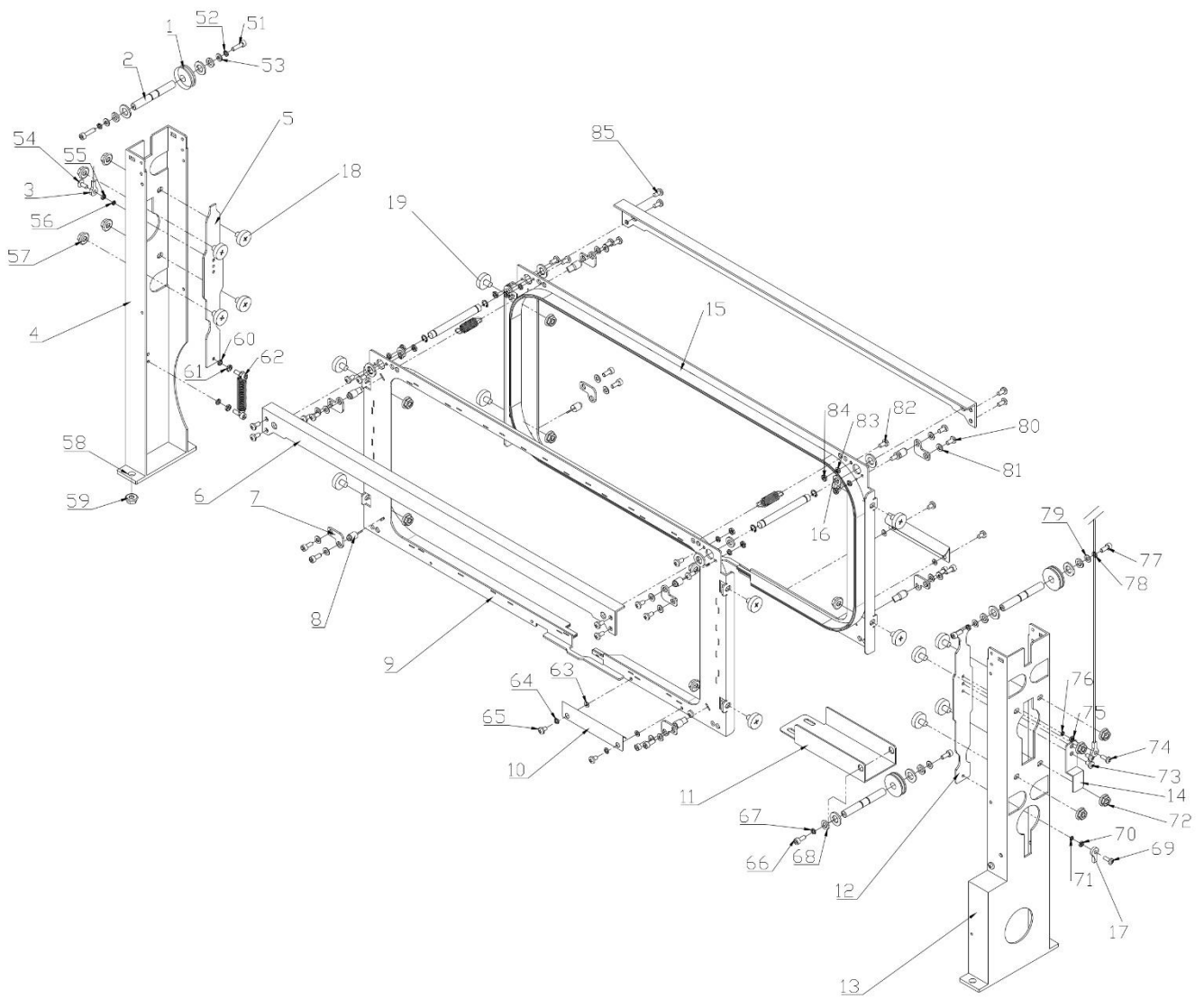
No.	НАИМЕНОВАНИЕ	КОД ДЕТАЛИ	КОЛ-ВО
1	Left bar head	B113	1
2	Cutter bar	B114	1
3	Washer	B150	1
4	Bar neck	B115	1
5	Heater plate	B119	1
6	Insulating washer	B118	1
7	Insulating spacer	B173	2
8	Insulating plate	B117	1
9	Middle bar head	B112	1
10	Compressed spring	B158	2
11	Cutter	B116	1
12	Right bar head	B111	B
13	Left pressing strip	B121	1
14	Lower slide table spring piece	B136	1
15	Upper slide table	B123	1
16	Slide table cushion sleeve	B177	1
17	Lower slide table	B124	1
18	Upper base plate	B125	1
19	Lower base plate	B126	1
20	Lower slide table base	B127	1
21	Right pressing strip	B122	1
22	Feed motor	B201	1
23	Drive wheel	B146	1
24	Shock pad	B149	2
25	Right bar stop piece	B164	1
26	Tape track cover	B138	1
27	Tape track	B137	1
28	Rotating shaft	B141	1
29	Tape feed/recover plate	B140	1
30	Rocker arm shaft sleeve	A1085	1
31	Shaft sleeve (long)	B144	1
32	Driven wheel axle	B142	1
33	Driven wheel	B145	3
34	Binding head plate	B100	2
35	Spring plate	B120	1
36	Support plate	B171	1
37	Photoelectric switch base	B156	1
38	Slide table pressing plate	B172	1
39	Slide table cushion sleeve	B177	1
40	Pulley base	B147	1
41	Pulley	B155	1
42	Stationary shaft of pulley	B139	1
43	Slide table arm tension	A0211	2
44	Tape feed tension spring	B179	1
45	Bar reset tension spring	HL101122	3
46	Tape track arm tension spring	B170	1
47	Bar screw	AS1-116	3
48	Bearing	605	3
49	Shaft sleeve	B169	2

51	Inner hexagonal screw	M5x12	3
52	Cross recessed countersunk head screw	M3x6	2
53	Big flat head screw	M3x10	2
54	Outer hexagonal screw	M4x10	2
55	Spring washer	Φ4	4
56	Hexagonal nut	M4	2
57	Inner hexagonal screw	M5x16	4
58	Flat washer	Φ4x10	1
59	Spring washer	Φ4	1
60	Inner hexagonal screw	M4x12	1
61	Cross recessed countersunk head screw	M4x8	4
62	Spring washer	Φ3	1
63	Hexagonal nut	M3	1
64	Cross recessed pan head screw	M3x16	1
65	Flat washer	Φ6x13	1
66	Spring washer	Φ6	1
67	Inner hexagonal screw	M6x20	1
68	Inner hexagonal screw	M6x25	3
69	Spring washer	Φ6	3
70	Flat washer	Φ6x13	3
71	Set screw	M5x6	2
72	Inner hexagonal screw	M4x12	2
73	Inner hexagonal screw	M4x12	2
74	Spring washer	Φ5	1
75	Hexagonal nut	M5	1
76	Inner hexagonal screw	M5x20	1
77	Inner hexagonal screw	M5x16	2
78	Spring washer	Φ5	2
79	Flat washer	Φ5x12	2
80	Flat washer	Φ6x16	1
81	Flange nut	M6	1
82	Flat washer	Φ6x13	2
83	Spring washer	Φ6	2
84	Inner hexagonal screw	M6x25	2
85	Cup head inner hexagonal screw	M5x8	2
86	Big flat head screw	M4x8	2
87	Flat washer	Φ5x12	2
88	Spring washer	Φ5	2
89	Inner hexagonal screw	M5x16	2
90	Cup head inner hexagonal screw	M5x8	2
91	Inner hexagonal screw	M5x30	1
92	Hexagonal nut	M5	1
93	Spring washer	Φ5	1
94	Flat washer	Φ5x12	2
95	Spring washer	Φ5	2
96	Inner hexagonal screw	M5x12	2
97	Spring washer	Φ4	1
98	Hexagonal nut	M4	1
99	Inner hexagonal screw	M4x12	1
100	Set screw	M 5x6	1

101	Inner hexagonal screw	M5x65	2
102	Spring washer	Φ5	2
103	Flat washer	Φ5x12	2
104	Spring washer	Φ8	2
105	Hexagonal nut	M8	1
106	Big flat head screw	M4x8	6
107	Inner hexagonal screw	M5x16	2
108	Spring washer	Φ5	2
109	Flat washer	Φ5x12	2
110	Pipe pin	Φ5x12	3
111	Set screw	M5x8	2

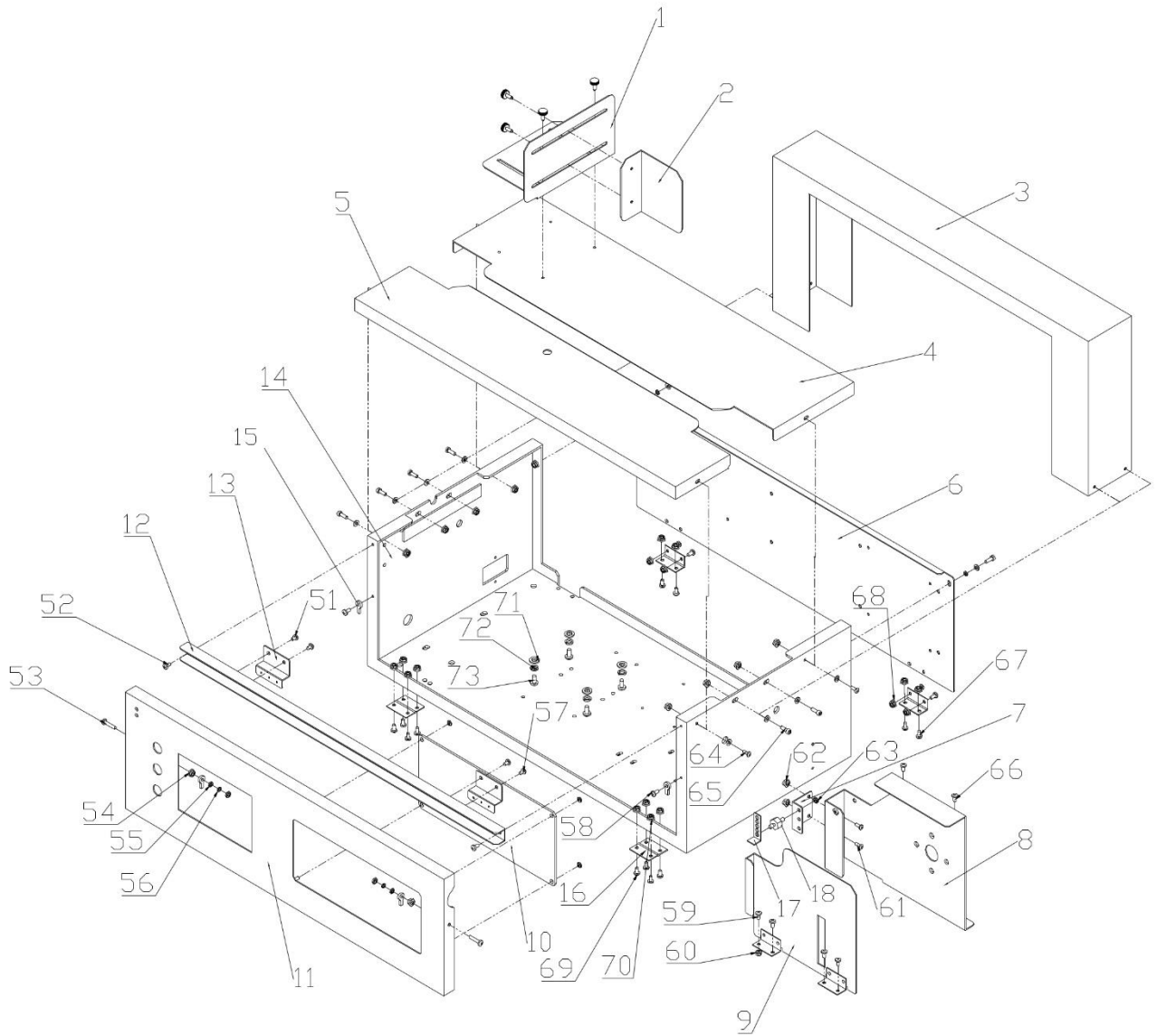


No.	НАИМЕНОВАНИЕ	КОД ДЕТАЛИ	КОЛ-ВО
1	Pull rod shaft	B163	1
2	Track arm	B129	1
3	Arm shaft	B134	1
4	Rocker arm shaft sleeve	A1085	3
5	Bearing	635	3
6	Cushioning adjusting base	B148	2
7	Slide table arm	B128	1
8	Tension pull plate	B133	1
9	Adjusting nut	B161	2
10	Tension compressed spring	B160	1
11	Tension adjusting rod	B132	1
12	Rocker arm shaft	B135	1
13	Tension arm	B130	1
14	Tension rod	B131	1
15	Pipe pin	Φ6x20	1
16	Corrugateed gasket	Φ6	1
51	Inner hexagonal screw	M5x25	1
52	Hexagonal nut	M5	1
53	Spring washer	Φ5	1
54	Inner hexagonal screw	M5x12	2
55	Spring washer	Φ5	2
56	Flat washer	Φ5x12	2
57	Inner hexagonal screw	M5x25	1
58	Hexagonal nut	M5	1
59	Spring washer	Φ5	1
60	Spring washer	Φ5	1
61	Hexagonal nut	M5	1
62	Flat washer	Φ5x12	2
63	Spring washer	Φ5	2
64	Inner hexagonal screw	M5x12	2
65	Cup head inner hexagonal screw	M5x12	1
66	Hexagonal nut	M6	1
67	Spring washer	Φ6	1
68	Spring washer	Φ5	2
69	Cup head inner hexagonal screw	M5x12	1
70	Hexagonal nut	M6	1
71	Spring washer	Φ6	1
72	Spring washer	Φ5	1
73	Hexagonal nut	M5	1
74	Inner hexagonal screw	M5x20	1
75	Hexagonal nut	M6	1
76	Spring washer	Φ6	1
77	Hexagonal nut	M6	1
78	Spring washer	Φ6	1
79	Set screw	M5x6	3
80	Flange nut	M5	1
81	Inner hexagonal screw	M5x16	1
82	Set screw	M5x20	2

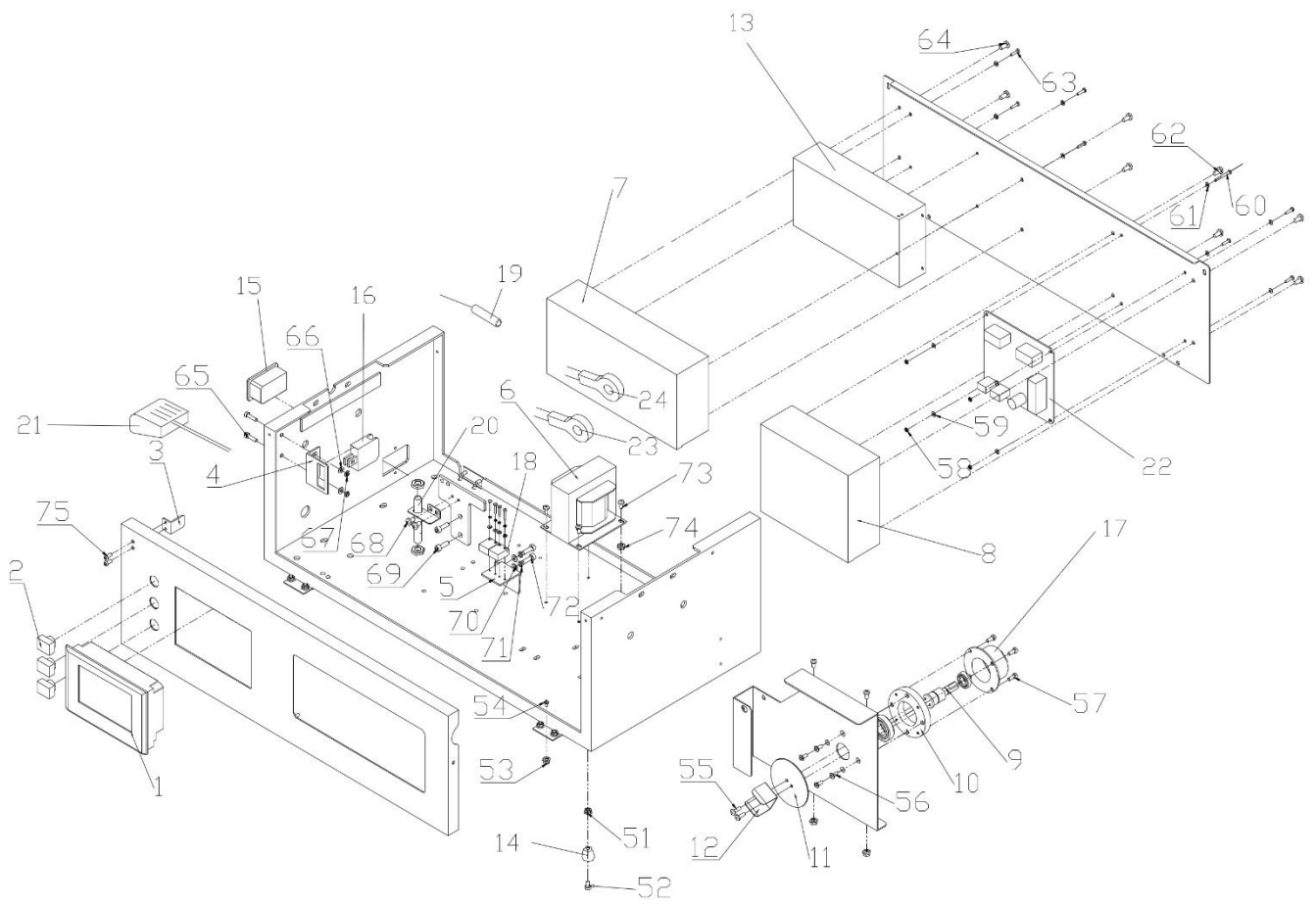


№.	НАИМЕНОВАНИЕ	КОД ДЕТАЛИ	КОЛ-ВО
1	Pulley	B155	3
2	Pulley shaft	B153	2
3	Long steel wire rope	B186	1
4	Arch right plate	B011	1
5	Right guide plate	B013	1
6	Upper beam	B014	2
7	Ejector pin fixing plate	B017	8
8	Ejector pin	B018	8
9	Rear track	B001	1
10	Left stop plate	B009	1
11	Fixed reinforcing plate	B176	1
12	Left guide plate	B012	1
13	Arch left plate	B010	1
14	Manual pressing plate	B016	1
15	Front track	B002	1
16	Sliding sleeve	B178	4
17	Short steel wire rope	B187	1
18	Plastic grooved wheel	φ19	8
19	Plastic wheel without groove	φ19	8
51	Inner hexagonal screw	M4x16	2
52 53	Spring washer	Φ4	2
53	Flat washer	Φ4x10	2
54	Big flat head screw	M4x12	1
55	Nut	M4	1
56	Spring washer	Φ4	1
57	Flange nut	M6	4
58	Non-slip pad	M6x12	4
59	Flange nut	M6	4
60	Spring washer	Φ4	1
61	Nut	M4	1
62	Inner hexagonal screw	M4x12	1
63	Flat washer	Φ4x10	2
64	Spring washer	Φ4	2
65	Big flat head screw	M4x8	2
66	Inner hexagonal screw	M4x16	2
67	Spring washer	Φ4	2
68	Flat washer	Φ4	2
69	Big flat head screw	M4x12	1
70	Nut	M4	1
71	Spring washer	Φ4	1
72	Flange nut	M6	4
73	Big flat head screw	M4x8	2
74	Big flat head screw	M4x12	1
75	Nut	M4	1
76	Spring washer	Φ4	1
77	Inner hexagonal screw	M4x16	2
78	Spring washer	Φ4	1
79	Flat washer	Φ4x10	1
80	Big flat head screw	M4x8	16

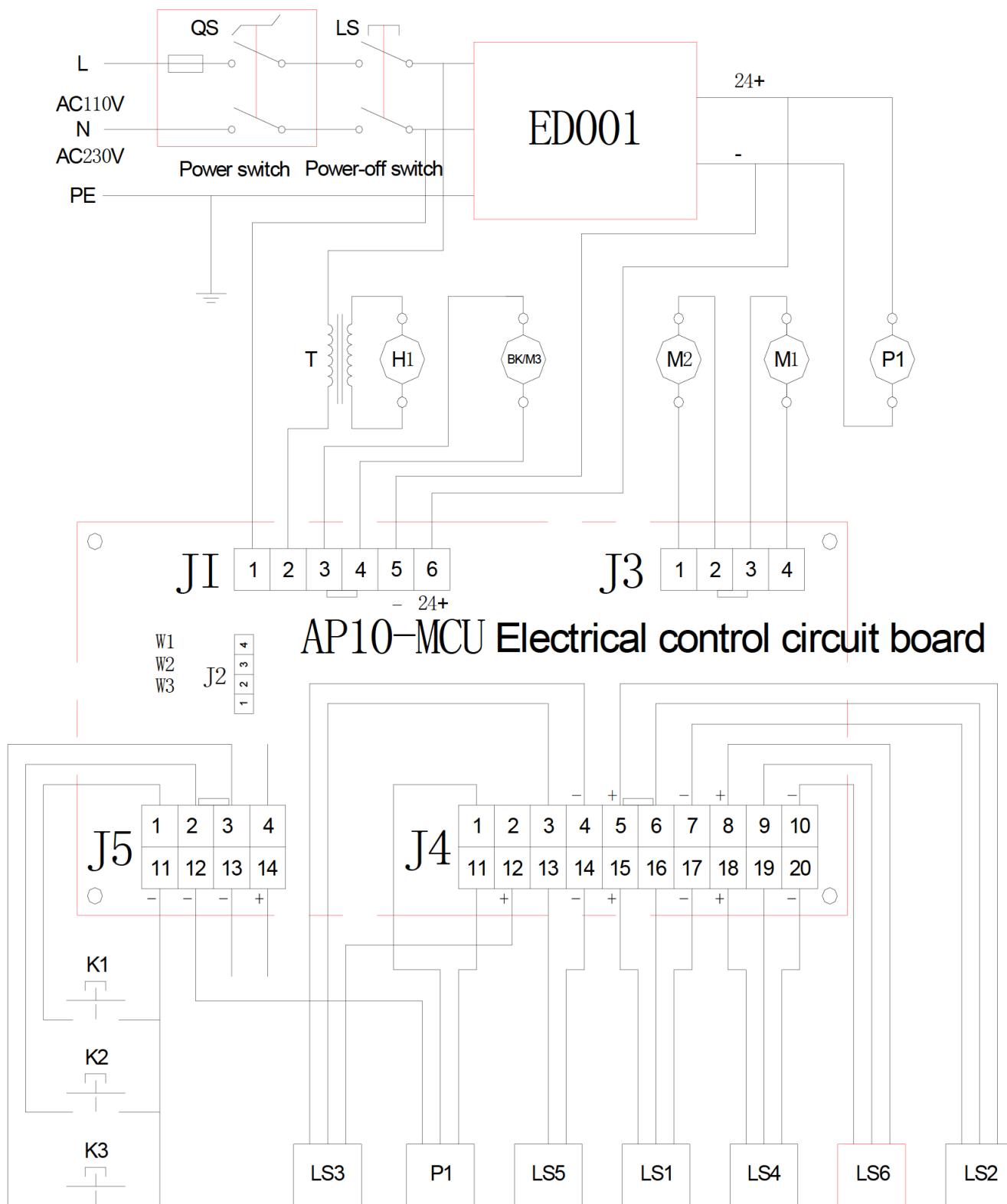
81	Flat washer	$\Phi 4 \times 10$	16
82	Big flat head screw	M4x8	16
83	Spring washer	$\Phi 4$	16
84	Flat washer	$\Phi 4 \times 10$	16
85	Big flat head screw	M4x8	8



№.	НАИМЕНОВАНИЕ	КОД ДЕТАЛИ	КОЛ-ВО
1	Transverse stop plate	B034	1
2	Vertical stop plate	B035	1
3	Outer arch	B021	1
4	Rear panel	B031	1
5	Front panel	B030	1
6	Rear door	B023	1
7	Adjusting plate base	B041	1
8	Magazine plate	B033	1
9	Magazine door	B032	1
10	Transparent panel	B037	1
11	Front door	B022	1
12	Front upper beam	B036	1
13	Magnet support	B039	1
14	Machine enclosure	B020	1
15	Steel wire rope for door	B186	2
16	Hinge	TP-1.5	4
17	Spring hook plate	A1217	1
18	Hook plate nut	A1218	1
51	Big flat head screw	M4x8	4
52	Big flat head screw	M4x8	2
53	Cross recessed pan	M4x20	2
54	Flange nut	M4	2
55	Nut	M4	4
56	Spring washer	Φ4	2
57	Cross recessed	M3x10	2
58	Big flat head screw	M4x8	2
59	Big flat head screw	M4x8	4
60	Flange nut	M4	4
61	Big flat head screw	M4x8	2
62	Flange nut	M4	2
63	Flange nut	M5	1
64	Big flat head screw	M4x8	4
65	Cup head inner	M5x8	4
66	Big flat head screw	M4x8	2
67	Big flat head screw	M4x8	2
68	Flange nut	M4	2
69	Big flat head screw	M4x8	16
70	Flange nut	M4	16
71	Flat washer	Φ5x16	4
72	Spring washer	Φ5	4
73	Inner hexagonal screw	M5x16	4



No.	НАИМЕНОВАНИЕ	КОД ДЕТАЛИ	КОЛ-ВО
1	Display screen	TG465-MT	1
2	Yellow button	AL6-11Y	1
	Green button	AL6-11G	1
	Blue button	AL6-11B	1
3	Power-off switch insertion piece	B040	1
4	Power-off switch support	B038	1
5	Proximity switch base	B151	1
6	Transformer	BK75	1
7	Switch power supply cover	B024	1
8	Circuit board cover	B025	1
9	Brake shaft	B165	1
10	Brake base	B166	1
11	Flange plate	B168	1
12	Tape reel holder	B167	1
13	Switch power supply	BR-S-250-24	1
14	Machine foot pad	Φ30-36	4
15	3-hole socket	AC-01A	1
16	Power-off switch	XK-1099/16A	1
17	Brake	EFB-003	1
18	Square proximity switch	QS-05N	2
19	Round proximity switch	SN08E-02BNA	1
20	Photoelectric switch	VT12T-2N112	1
21	Foot switch	TFS-201	1
22	PC control board	AP10-MCU	1
23	Short heating line	B183	1
24	Long heating line	B184	1
51	Lock nut	M8	4
52	Cup head inner hexagonal screw	M8x16	4
53	Flange nut	M4	4
54	Big flat head screw	M4x8	4
55	Big flat head screw	M4x8	2
56	Cross recessed countersunk head screw	M4x8	4
57	Inner hexagonal screw	M4x10	4
58	Hexagonal nut	M3	4
59	Flat washer	Φ3	4
60	Cross recessed pan head screw	M3x25	4
61	Flat washer	Φ3	4
62	Big flat head screw	M4x8	4
63	Cross recessed pan head screw	M3x6	4
64	Big flat head screw	M4x8	4
65	Inner hexagonal screw	M4x12	2
66	Flat washer	Φ4	2
67	Hexagonal nut	M4	2
68	Big flat head screw	M4x8	2
69	Inner hexagonal screw	M5x16	2
70	Flat washer	Φ5	2



AP10-MCU Electrical control circuit board

QS	Power switch	T	Heating transformer	M2	Feed/recover motor	LS1	Homing detection switch	LS4	Position detection switch	K1	Feed button
LS	Power-off switch	BK	Brake	M3	Storage motor	LS2	Recover detection switch	LS5	Foot switch	K2	Reset button
ED001	Switch power supply	M1	Cam motor	P1	Touch screen	LS3	Panel photoelectric switch	LS6	Storage detection switch	K3	Start button